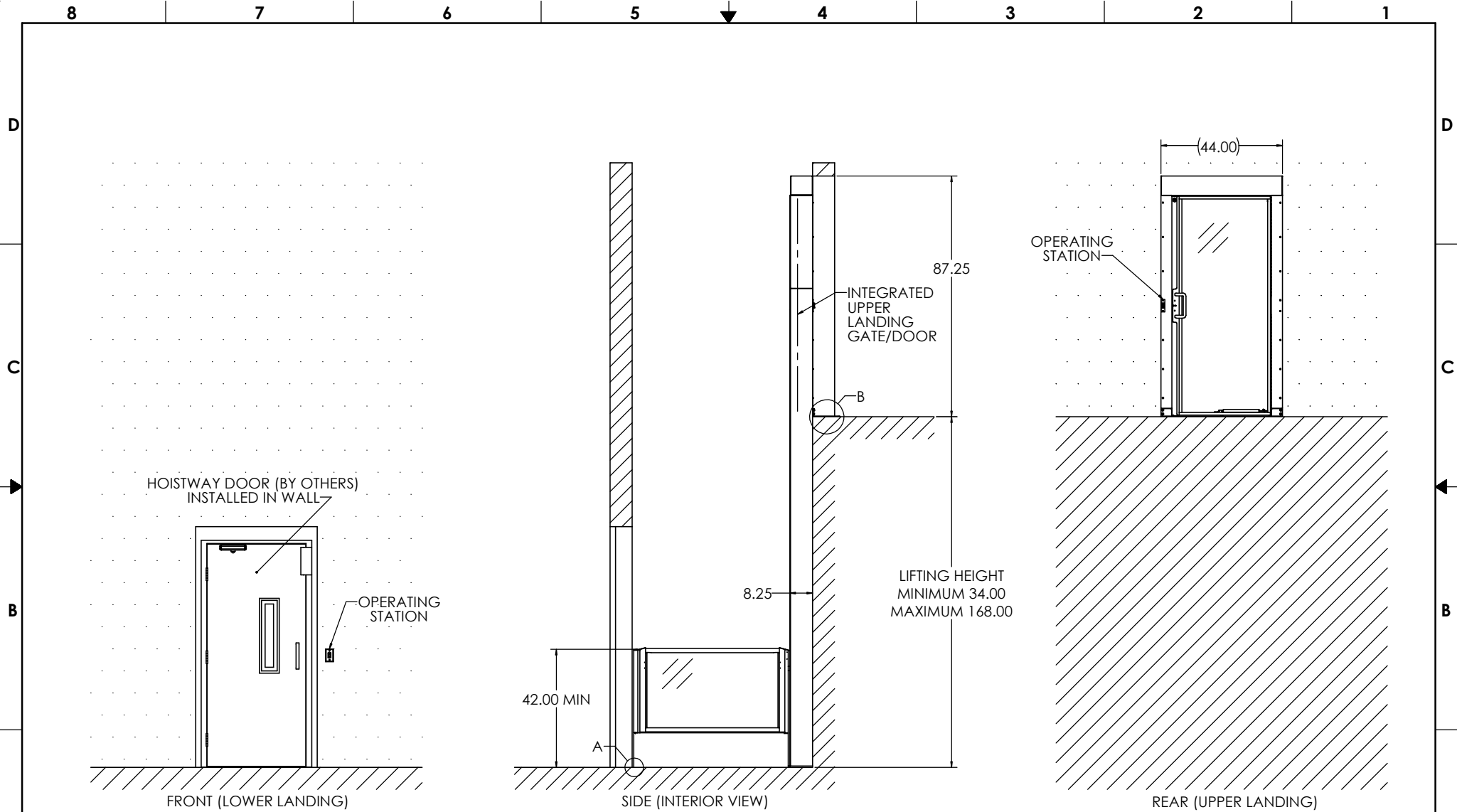


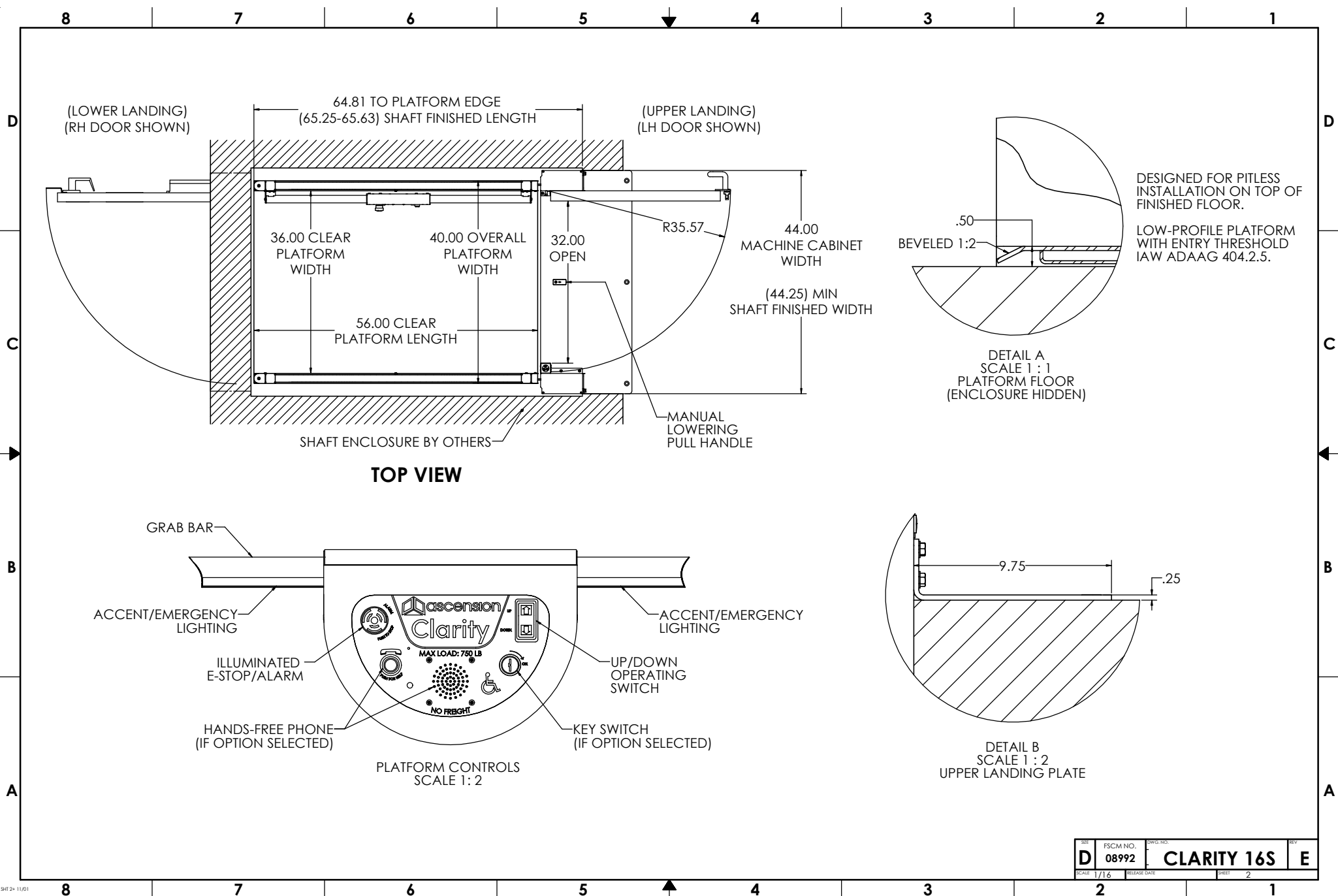
**GENERIC DRAWING; CONTACT ASCENSION FOR PROJECT-SPECIFIC DRAWINGS**

SEE OTHER CLARITY LIFT MODELS (16C, 16D, 16E, ETC.) FOR OTHER ENTRY/EXIT AND ENCLOSED/SHAFTWAY OPTIONS  
 SEE OPTIONS BROCHURE AND/OR SHEET 3 FOR VARIOUS CONFIGURATION OPTIONS



**ASCENSION CLARITY 16S VERTICAL PLATFORM WHEELCHAIR LIFT FOR PERMANENT SHAFTWAY LIFT APPLICATIONS**

<small>INTERPRET DIMENSIONS AND TOLERANCES IN ACCORDANCE WITH ASME Y14.5M-1994 UNLESS OTHERWISE SPECIFIED DIMENSIONS ARE IN INCHES (MM) DECIMALS .001" (.025) ANGLES ±.5°</small>		<small>P.O. BOX 4000 TUCSON, ARIZONA 85717-0000</small>			
<small>DRAWN BY</small> S. APPLEBY	<small>DATE</small> 8/16/2024	<b>CLARITY 16S</b> <b>SHAFTWAY, STRAIGHT-THROUGH</b>			
<small>DO NOT SCALE DRAWING</small>		<small>APPROVED</small> By Philip Brobeck at 8:45 am, Aug 06, 2024		<small>FSCM NO.</small> <b>D 08992</b>	
<small>SCALE</small> 1/16"		<small>RELEASED</small>		<small>REV</small> <b>E</b>	
<small>SHEET</small> 1 OF 3		<small>FILE</small> \Solidworks\1\Ascension\16S_CUSTOM_SIMPLE.SLDDRW			



REV	FSCM NO.	DWG. NO.	REV
D	08992	<b>CLARITY 16S</b>	E
SCALE 1/16	RELEASE DATE	SHEET 2	

8 7 6 5 4 3 2 1

**CONFIGURATION**

TOTAL TRAVEL	34" TO 168"
ENTRY/EXIT CONFIG.	STRAIGHT THROUGH
ENCLOSURE PROVIDED	NONE (BY OTHERS)

LOWER LANDING	
DOOR TYPE	HOISTWAY DOOR (BY OTHERS)
HANDING	RH/LH
DOOR OPERATOR	YES/NO
CALL STATION TYPE	WALL MOUNT
CALL STATION KEYED	YES/NO

UPPER LANDING	
DOOR TYPE	46.5" GATE/ 80" DOOR
HANDING	RH/LH
DOOR OPERATOR	YES/NO
CALL STATION TYPE	WALL/FRAME MOUNT
CALL STATION KEYED	YES/NO

PLATFORM	
KEY SWITCH	YES/NO
HANDS-FREE PHONE	YES/NO
PLATFORM LIGHTING	STANDARD
SLIP-RESISTANT FLOOR	STANDARD

OUTDOORS	
PIT SWITCH	STANDARD
MANUAL LOWERING	STANDARD
AUDIBLE ALARM	STANDARD
BATTERY BACKUP	STANDARD

**SPECIFICATIONS**

DESCRIPTION	SHAFTWAY VERTICAL PLATFORM WHEELCHAIR LIFT
CODE COMPLIANCE	ASME A18.1, ASME A17.5, NFPA 70 (NEC), ANSI A117.1, ADASAD (ADAAG)
APPLIED VERSION	ASME A18.1-2023
MODEL	CLARITY 16S
RATED LOAD	750 LB
RATED SPEED	20 FT/MIN
DUTY CYCLE	168 CYCLE-FT/HR (12 CYCLES/HR MINIMUM)
PLATFORM SIZE	36" X 56"
POWER SUPPLY	27VDC, 500W (18.5A)
BATTERIES	12V, 35A-h AGM SLA (2X)
CONTROL SYS.	24VDC
MOTOR	24VDC, 3 HP
DRIVING MEANS	2:1 CHAIN-HYDRAULIC

PLUNGER (2X)	1.25" SOLID
CYL. I.D. (2X)	2.00"
CYL. O.D. (2X)	2.38"
STROKE (2X)	(VARIES)

WORKING PSI	400 PSI
RELIEF PSI	600 PSI (1.5 X WP)

CHAIN TYPE	4X ANSI #50 ROLLER CHAIN
CHAIN STRENGTH	5045 LBF EACH
SAFETIES	2X TYPE A

DOOR LOCKS	IDEC HSSL
------------	-----------

**CONFIGURATION: FINISHES**

LIFT COLOR (POWDER COAT)	<input type="checkbox"/> SILVER (STANDARD) <input type="checkbox"/> BLACK <input type="checkbox"/> CUSTOM: _____
HARDWARE COLOR	<input type="checkbox"/> SILVER (STANDARD) <input type="checkbox"/> BLACK <input type="checkbox"/> BRASS <input type="checkbox"/> OIL RUBBED BRONZE
WINDOWS	<input type="checkbox"/> CLEAR PLEXIGLAS (STANDARD) <input type="checkbox"/> TINTED PLEXIGLAS (30%) <input type="checkbox"/> FROSTED PLEXIGLAS <input type="checkbox"/> POWDER COATED STEEL
PLATFORM WINDOWS	<input checked="" type="checkbox"/> CLEAR LAMINATED GLASS (STANDARD)
WINDOW ART	<input type="checkbox"/> NONE (STANDARD) <input type="checkbox"/> CUSTOM LOGO/IMAGE

**PROVISIONS BY OTHERS**

**GENERAL**

**HOISTWAY:** HOISTWAY MUST BE SQUARE AND PLUMB WITHIN 1/4" TO ENSURE PROPER LIFT OPERATION. SHAFT DIMENSIONS PROVIDED FOR REFERENCE ONLY. HOISTWAY MUST MEET ASME A18.1 AND ALL APPLICABLE STATE AND LOCAL CODES. HOISTWAY IS TO BE PROVIDED BY OTHERS.

**DOORS:** INSTALLATION OF DOORS TO MEET ALL APPLICABLE CODES. HOISTWAY DOORS TO BE PROVIDED BY OTHERS (SEE ATTACHED FOR RECOMMENDATION).

**REAR CABINET CLOSURE:** VERTICAL SURFACE BEHIND MACHINE CABINET SHALL HAVE STRENGTH AND STIFFNESS EQUIVALENT TO 14GA (.08) SHEET STEEL.

**DIMENSIONS:** TOTAL TRAVEL HEIGHT MUST BE WITHIN ±3/8" OF NOMINAL. VERIFY ALL DIMENSIONS AND IMMEDIATELY REPORT ANY DISCREPANCIES.

**FLOOR:** FLOOR BENEATH UNIT AND DOOR SWINGS MUST BE FLAT AND LEVEL WITHIN 1/8". OUTDOORS, DRAINAGE SHALL NOT FLOW THROUGH OR INTO UNIT.

**PIT/RAMP:** DO NOT PROVIDE PIT OR RAMP. LIFT DESIGNED WITH LOW-PROFILE PLATFORM FLOOR FOR DIRECT ENTRY IAW ADAAG 404.2.5.

**OVERHEAD CLEARANCE:** MUST COMPLY WITH ALL APPLICABLE CODES.

**CONSTRUCTION COORDINATION:** OWNER/AGENT RESPONSIBLE FOR ALL MASONRY, CARPENTRY, DRYWALL, PATCHING, AND FINISHING WORK NEEDED PRIOR TO AND FOLLOWING LIFT INSTALLATION.

**STRUCTURAL:** SUPPORTING STRUCTURE SHALL BE DESIGNED AND CONSTRUCTED TO SAFELY SUPPORT APPLIED LOADS IN ACCORDANCE WITH "CLARITY LOADING" DIAGRAM.

**ELECTRICAL**

**GENERAL:** ALL WIRING SHALL COMPLY WITH NFPA 70 (NEC).

**POWER:** 120VAC, 60HZ, 6A, 1PH CIRCUIT WITH DISCONNECT (SEE BELOW).

**CONCEALED REAR ACCESS:** CLEAR SPACE 7.25" X 7.50" (W x H) BEHIND LIFT AVAILABLE FOR WIRE ENTRY. SPACE CENTERED 10.88" RIGHT OF LIFT CENTERLINE AND NOMINALLY 6.88" ABOVE LOWER LANDING FLOOR.

**SIDE ACCESS:** TWO 1/2-14 NPSM THREADED HOLES ARE PROVIDED ON BOTH SIDES OF THE MACHINE CABINET. HOLES ARE NOMINALLY 2.25" AND 3.50" ABOVE LOWER FLOOR AND 1.00" FROM REAR VERTICAL WALL.

**MAIN DISCONNECT SWITCH:** OTHERS SHALL PROVIDE LOCKABLE FUSED DISCONNECT SWITCH IAW NFPA 70. SWITCH TO INCLUDE ADDITIONAL POLE OR CONTACT FOR DISCONNECTION OF CONTROLLER FROM 24V BACKUP SUPPLY.

**LIGHTING:** 54 LX MIN. AT PLATFORM AND LANDINGS.

**ADDITIONAL AC CONNECTIONS:** ADDITIONAL AC CONNECTIONS REQUIRED FOR: VENTILATION SYSTEM (IF EQUIPPED), 120VAC 1.3A 60HZ 1PH.

DOOR OPERATOR(S) (IF BY OTHERS), POWER REQ. PER MANUFACTURER

**PHONE:** STANDARD PHONE CABLE WITH RJ11 PLUG CONNECTOR REQUIRED FOR OPTIONAL (ANALOG) HANDS-FREE PHONE, WHERE PROVIDED.

REV	FSCM NO.	DWG. NO.	REV
D	08992	CLARITY 16S	E
SCALE	1/16"	RELEASED	SHEET 3

8 7 6 5 4 3 2 1

# CLARITY LOADING - OPPOSING ENTRY & EXIT (16E, 16S)

(GENERIC APPLICATION DEPICTED; ENCLOSURE NOT SHOWN)

MACHINE CABINET ANCHORS				
ANCHORING REQUIREMENT	ANCHOR LOCATION* (±.38) [IN]	# OF ANCHORS	TYPE (NEXT SHEETS)	APPLICABILITY
ANCHOR AT ONE OF TOP LOCATIONS.	UPPER F.F.	3	A	CONCRETE LANDING
	1" BELOW	6	B	WOOD LANDING
OPTIONAL (USE OF OPTIONAL ANCHORS RECOMMENDED FOR MAXIMUM RIGIDITY)	145.50	2	C	TRAVEL > 148.5"
	121.50			TRAVEL > 124.5"
	97.50			TRAVEL > 100.5"
	73.50			TRAVEL > 76.5"
	49.50			TRAVEL > 52.5"
ANCHOR AT ONE OF BOTTOM LOCATIONS	6.00	2	C	ALL LIFTS
	LOWER F.F.	2	D	H.L. PKG ONLY
ENCLOSURE ANCHORS (16E MODEL ONLY)				
REQUIRED IF PRESENT	LOWER F.F.	2	F	16E ONLY

\* ACTUAL LOCATIONS OF WALL ANCHORS MAY VARY AS MUCH AS ±3/8" FROM VALUES GIVEN ABOVE. MOUNTING STRUCTURE MUST BE ABLE TO ACCOMMODATE THIS VARIABILITY.

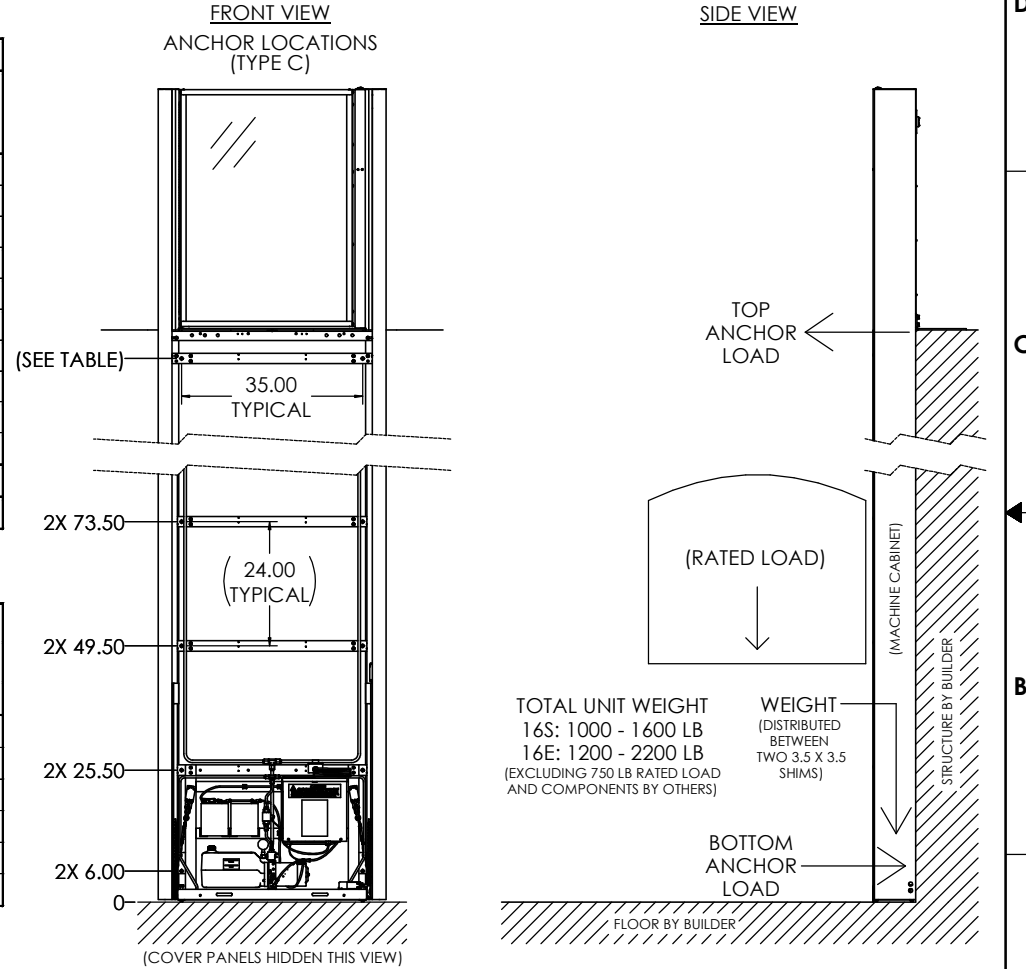
MAX LOAD PER ANCHOR BY TRAVEL HEIGHT [LBF]**							MAX TOTAL HORIZONTAL LOAD [LBF]** (FORCE ON STRUCTURE)
TRAVEL		ANCHOR TYPE (SEE TABLE ABOVE)					
		A	B	C	D	F	
34.0 - 52.5	623	SPECIAL†	970	793	200	2050	
52.5 - 76.5	375	192	575	508	200	1275	
76.5 - 100.5	248	126	377	347	200	875	
100.5 - 124.5	185	93	280	263	200	700	
124.5 - 148.5	147	74	223	212	200	575	
148.5 - 168.0	123	62	185	178	200	500	

\*\* LOADS LISTED ASSUME STATIC LOADING AND DO NOT INCLUDE WIND, SEISMIC, OR SAFETY FACTOR.

† WHEN USED, REQUIRES 6X TYPE B ANCHORS WITH 289 LBF MAX LOAD, 2X TYPE C ANCHORS AT 49.50 LOCATION WITH 189 LBF MAX LOAD, AND ANCHORING AT ONE OF THE BOTTOM LOCATIONS.

## ADDITIONAL NOTES:

- ANCHORS PROVIDED BY ASCENSION FOR COMMON MOUNTING APPLICATIONS. (SEE NEXT SHEETS FOR DETAILS).  
STAINLESS-STEEL CONCRETE ANCHORS PROVIDED FOR OUTDOOR APPLICATIONS.



<small>INTERPRET DIMENSIONS AND TOLERANCES (AW ANS) Y14.5M-1994 UNLESS OTHERWISE SPECIFIED DIMENSIONS ARE IN INCHES (MM) DECIMALS .005 .010 .015 .020 .030 .040 .050 .060 .070 .080 .090 .100 .125 .150 .175 .200 .250 .300 .375 .450 .500 .625 .750 .875 .1" = .001" ANGLES ± .4°</small>		<small>DATE</small> 11-12-24	<small>TITL</small> CLARITY LOADING STRAIGHT THROUGH
<small>DRAWN BY</small> S. APPLEBY	<small>CHECKED BY</small> APPROVED By Philip Brobeck at 10:46 am, Nov 13, 2024	<small>SCALE</small> 1/12	<small>REV</small> F
<small>DO NOT SCALE DRAWING.</small>		<small>SEE</small> D	<small>FILE NO.</small> 08992
<small>SCALE</small> 1/12		<small>RELEASED</small> 1 OF 3	<small>REV</small> F

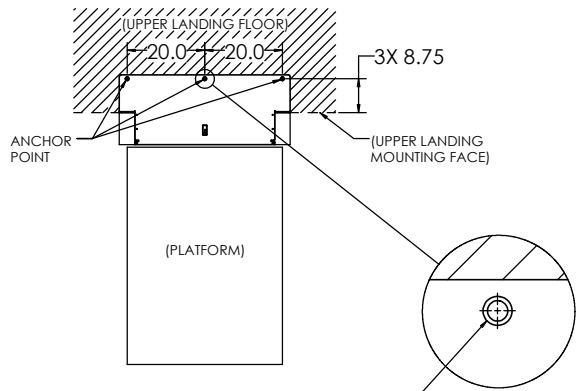
### ANCHOR LOCATION TYPE: A

#### ANCHORS PROVIDED - FOR CONCRETE LANDINGS ONLY:

3X 1/2" X 2" DROP-IN CONCRETE ANCHORS, 1/2-13 INTERNAL THREAD  
 (EX: SIMPSON STRONG-TIE P/N DIAB50, DIA506SS, OR DIA50SS)

3X 1/2-13 X 1" FLAT HEAD SCREWS

(FILLERS FOR ANCHOR HOLES PROVIDED FOR WOOD LANDINGS)



C'SINK FOR 1/2" FASTENER THROUGH 1/4" MATERIAL (ANCHOR POINT)

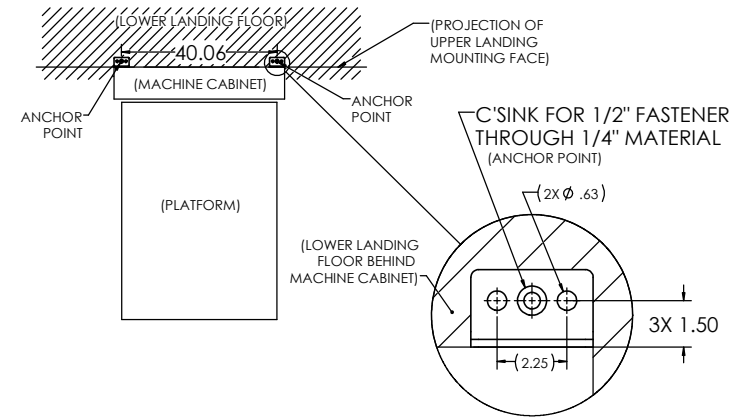
### ANCHOR LOCATION TYPE: D

(HOLLOW LANDING PACKAGE [H.L. PKG] ONLY)

#### ANCHORS PROVIDED - FOR NORMAL-WEIGHT CONCRETE FLOOR ONLY:

2X 1/2" X 2" DROP-IN CONCRETE ANCHORS, 1/2-13 INTERNAL THREAD  
 (EX: SIMPSON STRONG-TIE P/N DIAB50, DIA506SS, OR DIA50SS)

2X 1/2-13 X 1" FLAT HEAD SCREWS



### ANCHOR LOCATION TYPE: F

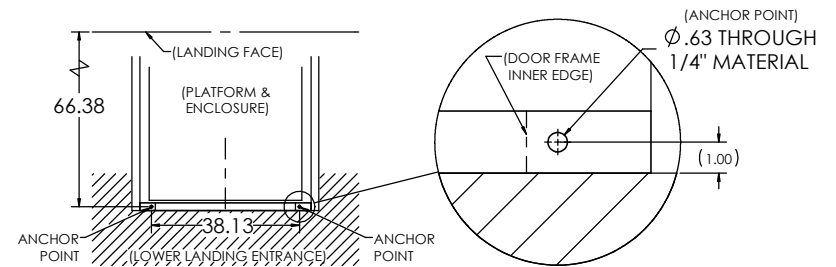
(CLARITY 16E ONLY)

#### ANCHORS PROVIDED - FOR CONCRETE OR WOOD FLOOR:

2X 1/2" X 2" DROP-IN CONCRETE ANCHORS, 1/2-13 INTERNAL THREAD  
 (EX: SIMPSON STRONG-TIE P/N DIAB50, DIA506SS, OR DIA50SS)

2X 1/2-13 X 1" SCREWS

2X 1/2" X 4" LAG SCREWS FOR WOOD (INDOOR ONLY)



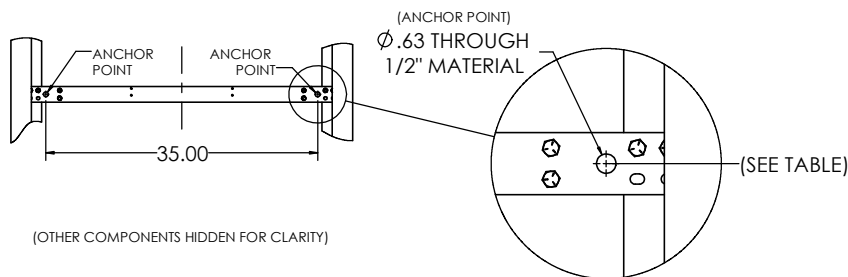
### ANCHOR LOCATION TYPE: C

#### ANCHORS PROVIDED - FOR CONCRETE OR WOOD STRUCTURES:

2X (EACH) 1/2" X 4" CONCRETE ANCHORS

(EX: SIMPSON STRONG-TIE P/N THD50400H, THD50400H6SS, OR THD50400H4SS)

2X (EACH) 1/2" X 4" LAG SCREWS FOR WOOD (INDOOR ONLY)



(OTHER COMPONENTS HIDDEN FOR CLARITY)

REV	FSCM NO.	DWG. NO.	REV
D	08992	CLARITY LOADING	F
SCALE	1/12	RELEASE DATE	SHEET 2

8 7 6 5 4 3 2 1

REVISIONS			
ZONE	DATE	DESCRIPTION	APPROVED

### ANCHOR LOCATION TYPE: B

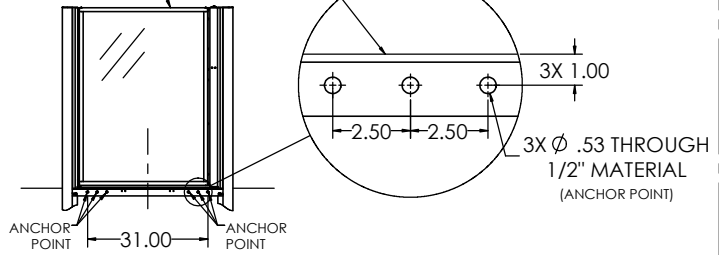
**ANCHORS PROVIDED - FOR WOOD STRUCTURES ONLY:**  
6X 1/2" X 4" LAG SCREWS FOR WOOD (INDOOR ONLY)

D

D

(UPPER LANDING GATE AS VIEWED FROM PLATFORM)

UPPER LANDING F.F.  
(UPPER LANDING GATE HIDDEN)



C

C

B

B

A

A

8 7 6 5 4 3 2 1

SET	FSCM NO.	DWG. NO.	REV
D	08992	CLARITY LOADING	F
SCALE	RELEASE DATE	SHEET	
1/12		3	

4

3

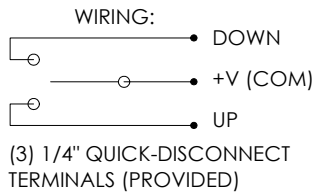
2

1

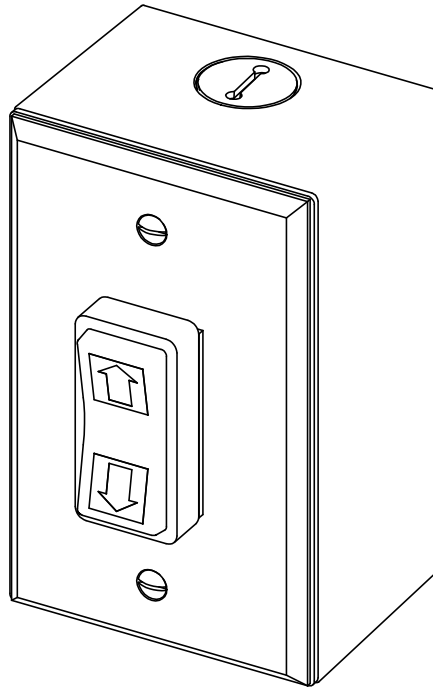
NOTES UNLESS OTHERWISE SPECIFIED:

1. DESCRIPTION: REMOTELY LOCATED CALL STATION FOR ASCENSION VERTICAL PLATFORM WHEELCHAIR LIFT. SUITABLE FOR SURFACE OR FLUSH WALL MOUNT.
2. CHARACTERISTICS:
  - 2.1 COVER PLATE: STANDARD SIZE WALL PLATE (4.5" X 2.75"), BRUSHED STAINLESS STEEL.
  - 2.2 SWITCH: 3 POSITION ROCKER, REQUIRES CONSTANT PRESSURE TO ACTUATE.
  - 2.3 MOUNTING BOX: SURFACE MOUNT SINGLE GANG BOX 2.00" DEEP, OR PREINSTALLED FLUSH MOUNT SINGLE GANG BOX.
  - 2.4 WEATHER RATING: SUITABLE FOR OUTDOOR USE.
3. ADA REQUIREMENTS:
  - 3.1 MOUNT BETWEEN 15" AND 48" ABOVE FLOOR. IAW ADAAG 308.2 OR 308.3
  - 3.2 PROVIDE 30"x48" OR 48"x30" CLEAR FLOOR SPACE FOR ACCESSING CALL STATION. IAW ADAAG 309.2 & 305

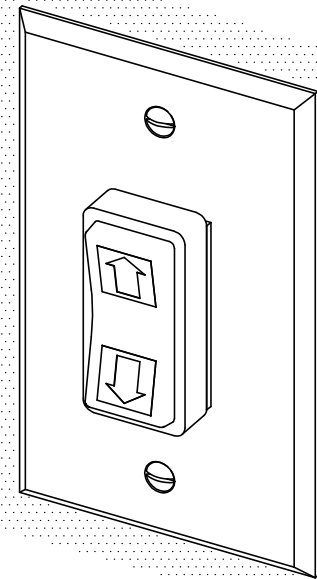
NOTE: CLEAR FLOOR SPACE MUST BE OUTSIDE SWING OF AUTOMATIC DOORS AND GATES.



REVISIONS				
ZONE	LTR.	DESCRIPTION	DATE	APPROVAL



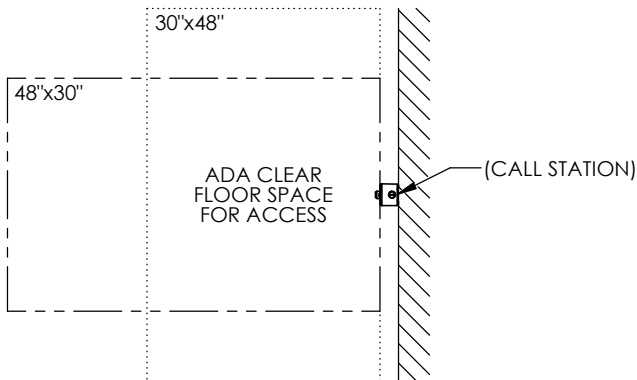
SURFACE MOUNT



OR

FLUSH MOUNT

(PLATE COMPATIBLE WITH PREINSTALLED 1-GANG BOX)



INTERPRET DIMENSIONS AND TOLERANCES IAW ANSI Y14.5M-1994		CONTRACT NO.		P.O. BOX 40020 TUCSON, ARIZONA 85717-0020	
UNLESS OTHERWISE SPECIFIED DIMENSIONS ARE IN INCHES (MM)		DRAWN S. APPELBY	DATE 12-4-24	ascension®	
TOLERANCES: DECIMALS .XX ± N/A .XXX ± N/A		CHECK <b>APPROVED</b> By CWillis at 10:06 am, Dec 05, 2024		TITLE <b>OPERATING STATION (CALL BOX) WALL MOUNTED</b>	
ANGLES ± N/A		MANUFACTURING		SIZE <b>B</b>	FSCM NO. <b>08992</b>
DO NOT SCALE DRAWING		CUSTOMER		DWG. NO. <b>115712</b>	REV. <b>E</b>
FINISH				SCALE 1/1	RELEASE DATE
SIMILAR TO	ACT. WT.	CALC. WT.			SHEET 1 OF 1

4

3

2

1

4

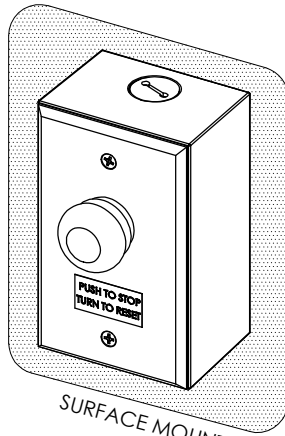
3

2

1

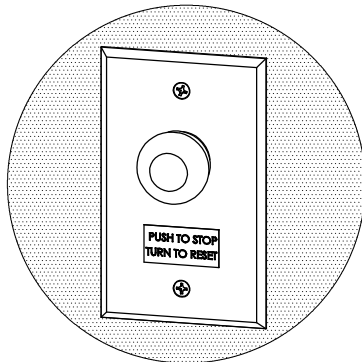
NOTES UNLESS OTHERWISE SPECIFIED:

- 1. DESCRIPTION: SHAFTWAY/PIT STOP SWITCH FOR DISABLING CLARITY VERTICAL WHEELCHAIR LIFT WHEN SERVICING BENEATH PLATFORM. SUITABLE FOR FLUSH OR SURFACE WALL MOUNT.
- 2. CHARACTERISTICS:
  - 2.1 COVER PLATE: STANDARD SIZE WALL PLATE (4.5" x 2.75"), BRUSHED STAINLESS STEEL
  - 2.2 SWITCH: PUSHLOCK EMERGENCY STOP MECHANISM, PULL OR TWIST TO RELEASE
  - 2.3 WEATHER RATING: SUITABLE FOR OUTDOOR USE
- 3. MOUNTING BOX INSTALLATION DETAILS:
  - 3.1 INSTALL WITH PROVIDED SURFACE-MOUNT SINGLE GANG BOX, OR REMOVE FACE PLATE FOR USE WITH PREINSTALLED FLUSH MOUNT 1-GANG BOX. SURFACE MOUNT BOX REQUIRES WIDER SHAFT WITH 3.25" MIN SIDE CLEARANCE.
  - 3.2 PIT SWITCH MUST BE INSTALLED INSIDE SHAFTWAY AND ACCESSIBLE FROM LOWER LANDING ENTRANCE IAW ASME 18.1
  - 3.3 STOP SWITCH TO BE WIRED TO LOWER DOOR INTERLOCK (STRIKE SIDE). 96" OF 2-CONDUCTOR CABLE INCLUDED.

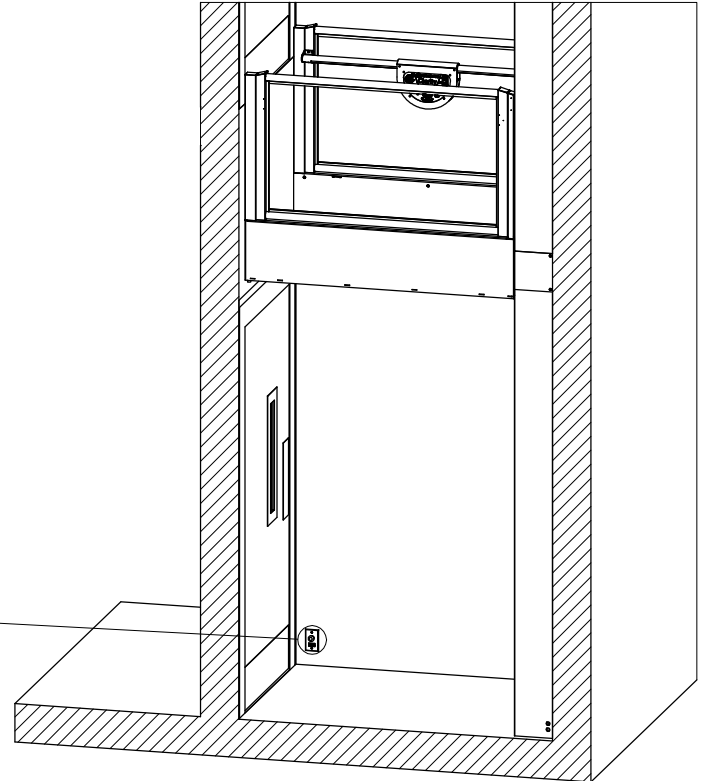


SURFACE MOUNT

OR



FLUSH MOUNT



REVISIONS				
ZONE	LTR.	DESCRIPTION	DATE	APPROVAL

INTERPRET DIMENSIONS AND TOLERANCES IAW ANSI Y14.5M-1994 UNLESS OTHERWISE SPECIFIED DIMENSIONS ARE IN INCHES [MM] TOLERANCES: DECIMALS .XX ± .XXX ± ANGLES ± DO NOT SCALE DRAWING		CONTRACT NO. DRAWN A.SZWAYKOWSKI DATE 11-16-23 CHECK <b>APPROVED</b> By SAppleby at 7:01 am, Jun 09, 2026		P.O. BOX 40020 TUCSON, ARIZONA 85717-0020 <b>ascension</b> ®	
FINISH		MANUFACTURING		TITLE <b>SHAFTWAY PIT SWITCH, REMOTE MOUNTED</b>	
SIMILAR TO		CUSTOMER		SIZE <b>B</b>	FSCM NO. <b>08992</b>
ACT. WT.		CALC. WT.		DWG. NO. <b>117534</b>	
				SCALE 1/1	REV. <b>B</b>
				RELEASE DATE	SHEET 1 OF

4

3

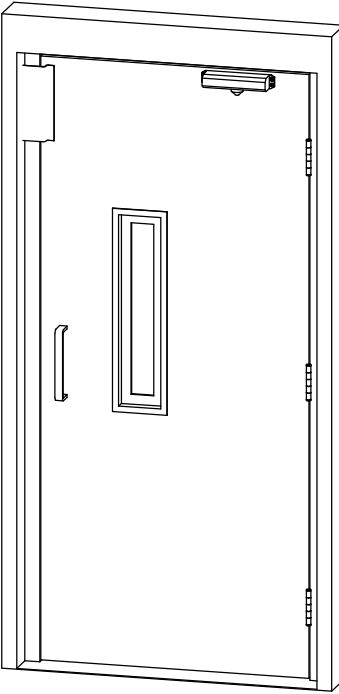
2

1

# WALL-MOUNT DOOR SPECIFICATIONS

FOR DOORS TO BE USED WITH ASCENSION LIFTS

(RECOMMENDED DOOR MODEL **OPTIONALLY** PROVIDED WITH LIFT; SEE QUOTE)



DOOR APPEARANCE FOR REFERENCE ONLY  
("LH" HANDING SHOWN)

**1. DESCRIPTION:**

SPECIFICATIONS FOR WALL-MOUNT DOORS AND INTERLOCKS TO BE USED WITH ASCENSION WHEELCHAIR LIFTS (16S, 16C, & CERTAIN 5442F SERIES LIFTS).

**2. CODE REQUIREMENTS:**

DOOR AND INTERLOCK TO COMPLY WITH ALL APPLICABLE CODES AND REQUIREMENTS, INCLUDING ASME A18.1.

GENERAL REQUIREMENTS FOR REFERENCE ONLY:

- DOOR MUST BE SELF-CLOSING
- INSIDE OF DOOR MUST FORM SMOOTH, UNPERFORATED SURFACE FLUSH WITH SURROUNDING FACES OF ENCLOSURE/HOISTWAY
- DOOR AND INTERLOCK MUST WITHSTAND A 125 LBF APPLIED FORCE
- DOOR MUST BE FIRE-RATED (IF APPLICABLE)

**3. INTERLOCK SPECIFICATIONS:**

MECHANICAL INTERLOCK TO INCLUDE TWO (2) PARALLEL (SEPARATE) CONTACTS FOR LIFT'S DOOR CLOSED AND DOOR LOCKED SIGNAL CIRCUITS. CONTACTS TO BE CLOSED WHEN DOOR SHUT AND LOCKED.

INTERLOCK TO BE FAIL-SECURE, 24VDC, 0.5A MAX CURRENT DRAW.

(1.0A MAX CURRENT DRAW FOR PROTÉGÉ 5442F SERIES)

INTERLOCK TO BE CERTIFIED TO ASME A18.1, ASME A17.1, CSA B44, OR CSA B355.

RECOMMENDED INTERLOCK MODELS:

- IDEC HS5L (HS5L-XD44M-G OR SIMILAR)
  - AVAILABLE FROM ASCENSION
- ATLAS ATLOCK (ATLOCK-LP5 (LH), ATLOCK-RP5 (RH), OR SIMILAR)

**4. RECOMMENDED HOISTWAY DOOR MANUFACTURER & MODEL:**

BELCO DOORS  
P/N: COM-316

STANDARD FEATURES:

- 1.5 HOUR FIRE RATING
- VISION PANEL
- PRIMED AND READY FOR PAINT

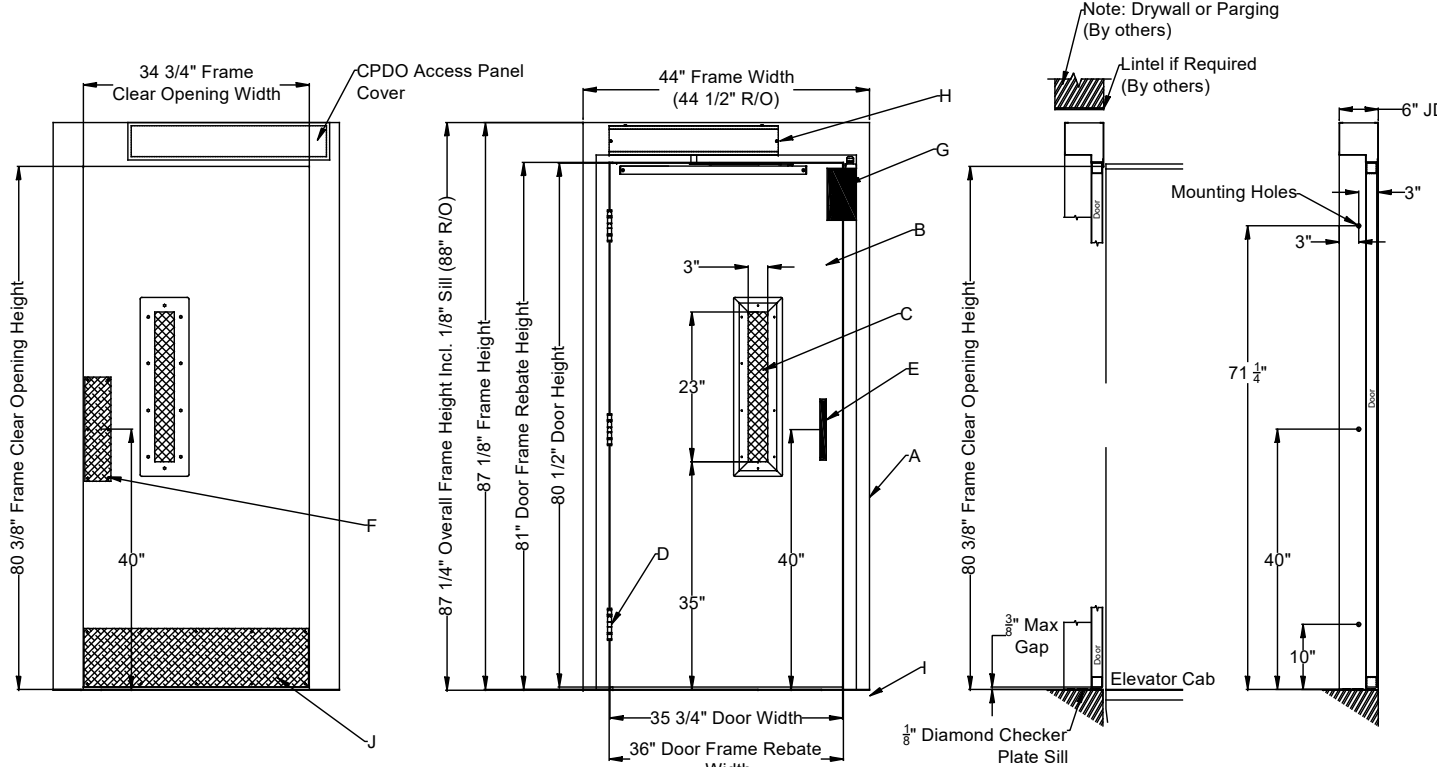
OPTIONS:

- "RH" OR "LH" HANDING
- CONCEALED POWER DOOR OPERATOR (PDO)
- OUTDOOR WEATHER PACKAGE

FIRE-RATED WOODEN DOOR OPTIONS AVAILABLE; CONTACT BELCO DOORS FOR MORE DETAILS.

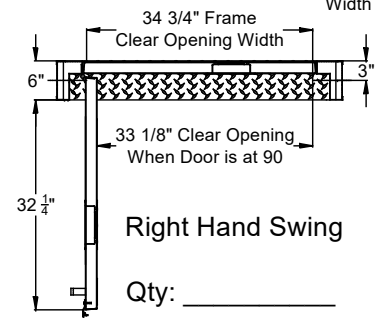
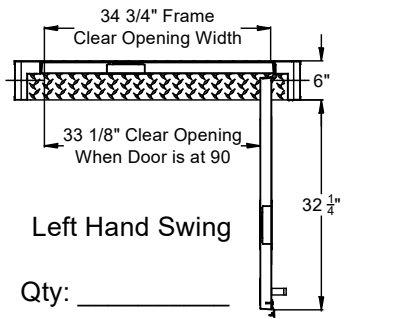
<small>INTERPRET DIMENSIONS AND TOLERANCES IN ACCORDANCE WITH ASME Y14.5M-1994 UNLESS OTHERWISE SPECIFIED DIMENSIONS ARE IN INCHES (MM) DECIMALS .XXX # N/A ANGLES .XXX # N/A</small>		<small>DATE</small> 12-30-25	<small>SCALE</small> 1/8"	<small>REV</small> C
<small>DRAWN BY</small> S. APPLEBY	<small>CHECKED BY</small> 	<small>DATE</small> 12-30-25		
<small>DO NOT SCALE DRAWING.</small>		<small>APPROVED BY</small> By CWillis at 12:45 pm, Jan 06, 2026	<small>FSCM NO.</small> 08992	<small>DWG. NO.</small> 16S DOOR
<small>SCALE</small> 1/8"		<small>RELEASE DATE</small> 	<small>SHEET</small> 1 OF 1	

# BELCO DOORS COM-316 ORDER FORM

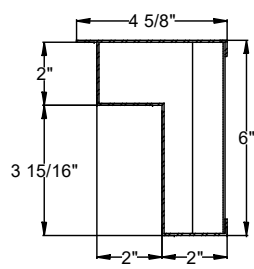


1-1/2 Hour Elevator Approved "B" Fire Label

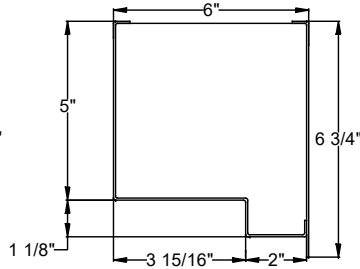
- A. 16ga. Frame (Galvanneal & Paint Ready)
- B. 18ga. Steel Door (Honeycomb Core, Galvanneal & Paint Ready)
- C. 3" x 23" Vision Panel (1/4" Wired Glass)
- D. (3) 4 1/2" NRP BB Hinges (US26D Finish)
- E. D-Handle (Brushed Aluminum)
- F. Push Plate (Brushed Aluminum)
- G. EMI Interlock (Atlas Atlock)
- H. Concealed PDO-110V (Optional)
- I. Flat Diamond Zinc Plated Sill with Sill Pins
- J. Kick Plate (Brushed Aluminum)



**Side Jamb Profile**



**Head Jamb Profile**



Standard Entrances are provided with a Manual Door Closer, if Power Door Operation is Required - Please Check Box Below

Power Door Operation is Required

Standard Entrances are for Interior use, if Exterior Application Pkg. is Required - Please Check Box Below

Exterior Application Pkg. Required

NIAGARA BELCO DOORS LTD. IS NOT RESPONSIBLE FOR THE STRUCTURAL DESIGN OF THE BUILDING AND ITS ABILITY TO SUPPORT THE ENTRANCE.

REV NO.	REVISION DESCRIPTION	DATE	BY
0	INITIAL RELEASE	2NOV22	JPH

AGM Container			
COM-316-3681-CPDO			
Size 36" x 81"			
SCALE:			
DRAWN BY:	DATE LAST MODIFIED:	DRAWING NO.	REV SHEET NO.
JPH	NOV 15 2022	COM-316-3681-CPDO	0 1 OF 1