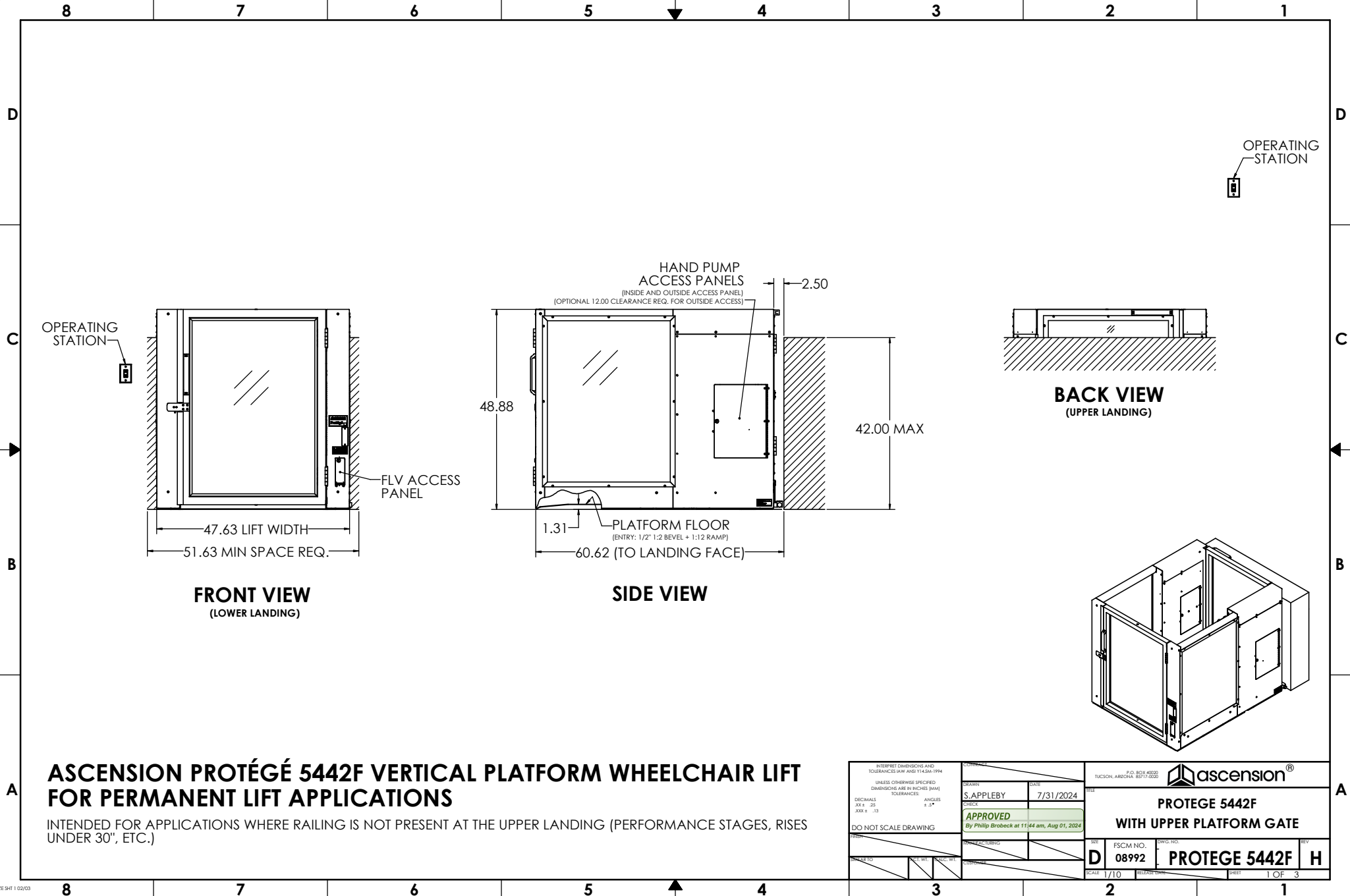


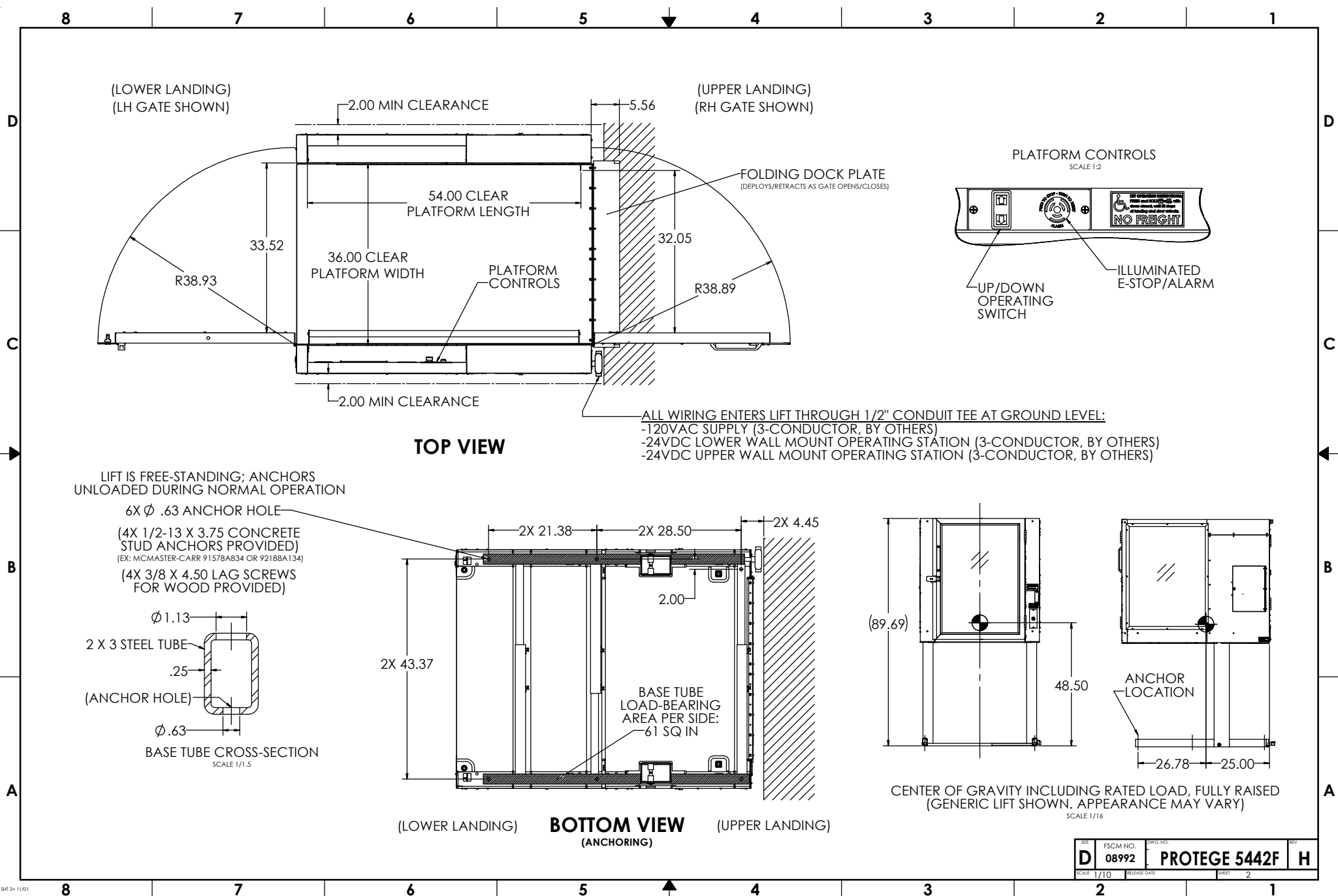
GENERIC DRAWING; CONTACT ASCENSION FOR PROJECT-SPECIFIC DRAWINGS

SEE OTHER PROTEGE LIFT MODELS (5442FG, 5442FX, ETC.) FOR OTHER GATE/DOOR OPTIONS (PLATFORM/LANDING MOUNT)

SEE OPTIONS BROCHURE AND/OR SHEET 3 FOR VARIOUS CONFIGURATION OPTIONS



<small>INTERPRET DIMENSIONS AND TOLERANCES IN ACCORDANCE WITH ASME Y14.5M-1994 UNLESS OTHERWISE SPECIFIED DIMENSIONS ARE IN INCHES (MM) TOLERANCES ANGLES</small> <small>DIGITALLY SIGNED BY PHILIP BROBECK</small> <small>XXX 4 '13</small>		<small>DATE</small> 7/31/2024	<small>SCALE</small> 1/10	<small>RELEASE DATE</small> 8/1/2024	<small>SHEET</small> 1 OF 3
<small>DO NOT SCALE DRAWING</small>		<small>APPROVED</small> By Philip Brobeck at 11:44 am, Aug 01, 2024	ascension® P.O. BOX 40202 TUCSON, ARIZONA 85717-0202		
PROTEGE 5442F WITH UPPER PLATFORM GATE		FSCM NO. 08992	DWG. NO. PROTEGE 5442F H		



REV	FSCM NO.	DWG. NO.	REV
D	08992	PROTEGE 5442F	H
SCALE 1/10	RELEASE DATE	SHEET 2	

CONFIGURATION

TOTAL TRAVEL	UP TO 42.00"
ENTRY/EXIT CONFIG.	STRAIGHT THROUGH

LOWER LANDING	
DOOR TYPE	PLATFORM GATE
HANDING	RH/LH
DOOR OPERATOR	YES/NO
CALL STATION TYPE*	WALL/FRAME MOUNT
CALL STATION KEYED	YES/NO

UPPER LANDING	
DOOR TYPE	PLATFORM GATE
HANDING	RH/LH
DOOR OPERATOR	N/A
CALL STATION TYPE**	WALL/FRAME MOUNT
CALL STATION KEYED	YES/NO

PLATFORM	
KEY SWITCH	YES/NO
HANDS-FREE PHONE	YES/NO
AUXILIARY LIGHTING	YES/NO
GRAB BAR	STANDARD
SLIP-RESISTANT FLOOR	STANDARD

OUTDOORS	YES/NO
PIT SWITCH	STANDARD
AUDIBLE ALARM	STANDARD
UNDER-PLATFORM SAFETY PAN	STANDARD
CALIFORNIA SAFETY PAN MODIFICATION	YES/NO
ACCESS PANELS (4X)	STANDARD
HAND PUMP	STANDARD
FRONT LOWERING VALVE (FLV)	STANDARD
EXTERNAL BATTERY BACKUP UNIT (UPS)	YES/NO

*WALL MOUNT (NOT FRAME MOUNT) REQUIRED IF TRAVEL EXCEEDS 30" OR LOWER DOOR OPERATOR OPTION SELECTED.

**WALL MOUNT (NOT FRAME MOUNT) REQUIRED IF TRAVEL EXCEEDS 29"

SPECIFICATIONS

DESCRIPTION	VERTICAL PLATFORM WHEELCHAIR LIFT
CODE COMPLIANCE	ASME A18.1, ASME A17.5, NFPA 70 (NEC), ANSI A117.1, ADASAD (ADAAG)
APPLIED VERSION	ASME A18.1-2020
MODEL	PROTEGE 5442F
UNIT WEIGHT	850 LB
RATED LOAD	900 LB
RATED SPEED	5 FT/MIN
DUTY CYCLE	S2: 20 MIN SINGLE RUN S3: 13% INTERMITTENT RUN
PLATFORM SIZE	36" X 58"
POWER SUPPLY	24VDC, 1.75A (42W)
CONTROL SYS.	24VDC
MOTOR	115VAC, 1/2 HP

DRIVING MEANS	DIRECT-PLUNGER HYDRAULIC
PLUNGER (2X)	1.125" SOLID
CYL. I.D.	2.75" MASTER, 2.50" SLAVE
CYL. O.D.	3.13" MASTER, 2.88" SLAVE
STROKE (2X)	41.5"
SAFETIES TYPE	NONE (IAW ASME A18.1 §2.8.8)

WORKING PSI	400 PSI
RELIEF PSI	600 PSI (1.5 X WP)

DOOR LOCK	IDEC HSSL
-----------	-----------

CONFIGURATION: FINISHES

LIFT COLOR (POWDER COAT)	<input type="checkbox"/> BLACK (STANDARD) <input type="checkbox"/> SILVER <input type="checkbox"/> CUSTOM: _____
HARDWARE COLOR	<input type="checkbox"/> SILVER (STANDARD) <input type="checkbox"/> BLACK <input type="checkbox"/> BRASS <input type="checkbox"/> OIL RUBBED BRONZE
WINDOWS	<input type="checkbox"/> CLEAR PLEXIGLAS (STANDARD) <input type="checkbox"/> TINTED PLEXIGLAS (30%) <input type="checkbox"/> FROSTED PLEXIGLAS <input type="checkbox"/> POWDER COATED STEEL
WINDOW ART	<input type="checkbox"/> NONE (STANDARD) <input type="checkbox"/> CUSTOM LOGO/IMAGE

PROVISIONS BY OTHERS

GENERAL

HOISTWAY: FINISHED VERTICAL LANDING FACE MUST BE SQUARE AND PLUMB WITHIN 1/4" TO ENSURE PROPER LIFT OPERATION. WHERE ANY PERMANENT STRUCTURE IS WITHIN 12" OF EITHER SIDE OF THE LIFT, IT MUST BE DESIGNED AND BUILT IN ACCORDANCE WITH ASME A18.1 AND ALL APPLICABLE STATE AND LOCAL CODES.

FLOOR: FLOOR BENEATH UNIT AND DOOR SWINGS MUST BE FLAT AND LEVEL WITHIN 1/8" AND CAPABLE OF SUPPORTING UNIT WEIGHT WITH RATED LOAD. OUTDOORS, DRAINAGE SHALL NOT FLOW THROUGH OR INTO UNIT.

PIT/RAMP: UNLESS OTHERWISE SPECIFIED, DO NOT PROVIDE PIT OR RAMP. LIFT DESIGNED WITH LOW-PROFILE PLATFORM FLOOR FOR DIRECT ENTRY.

OVERHEAD CLEARANCE: MUST COMPLY WITH ALL APPLICABLE CODES.

CONSTRUCTION COORDINATION: OWNER/AGENT RESPONSIBLE FOR ALL MASONRY, CARPENTRY, DRYWALL, PATCHING, AND FINISHING WORK NEEDED PRIOR TO AND FOLLOWING LIFT INSTALLATION.

ELECTRICAL

GENERAL: ALL WIRING SHALL COMPLY WITH NFPA 70 (NEC).

POWER: 120VAC, 60HZ, 13A, 1PH CIRCUIT WITH DISCONNECT (SEE BELOW).

MAIN DISCONNECT SWITCH: OTHERS SHALL PROVIDE LOCKABLE FUSED DISCONNECT SWITCH IAW NFPA 70 (SECTION 620.51).

LIGHTING: 54 LX MIN AT PLATFORM AND LANDINGS.

EMERGENCY LIGHTING: 2.2 LX MIN AT PLATFORM AND CONTROLS (4 HOURS MIN) (WHERE NOT PROVIDED BY "AUXILIARY LIGHTING" OPTION).

PHONE: STANDARD PHONE CABLE WITH RJ11 RECEPTACLE CONNECTOR REQUIRED FOR OPTIONAL (ANALOG) HANDS-FREE PHONE, WHERE PROVIDED.

INSTALLATION FEATURES

TRANSPORTABILITY: DISPOSABLE CASTERS INCLUDED TO WHEEL LIFT TO PERMANENT INSTALL LOCATION.

COMPRESSIBILITY: LIFT COMPRESSIBLE TO 33" TO FIT THROUGH DOORWAYS.

REV	FSCM NO.	DWG. NO.	REV
D	08992	PROTEGE 5442F	H
SCALE 1/10	RELEASE DATE	SHEET 3	

4

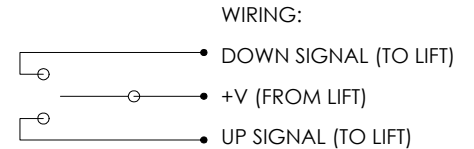
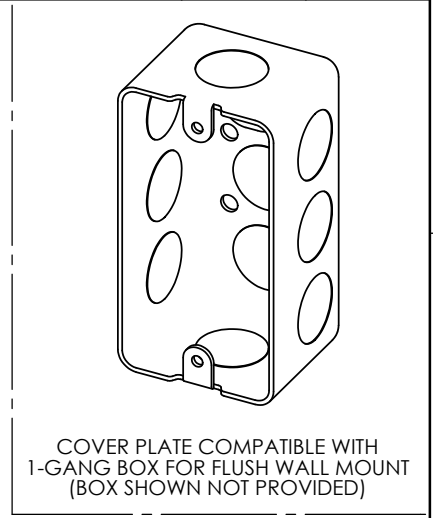
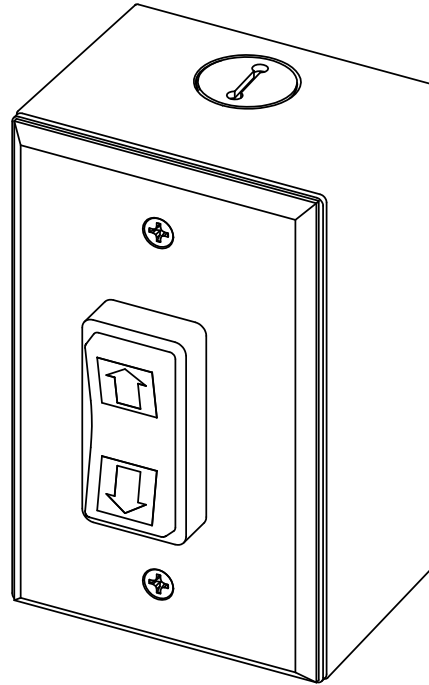
3

2

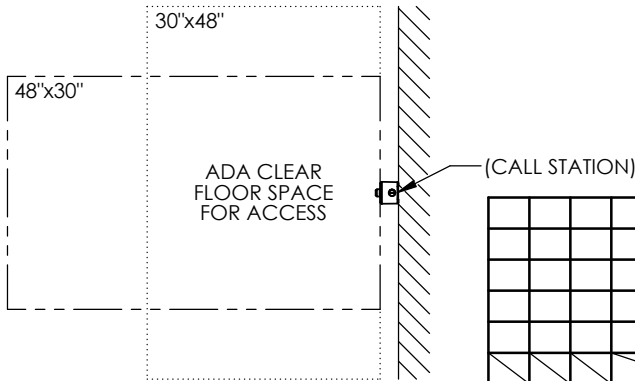
1

NOTES UNLESS OTHERWISE SPECIFIED:

- 1. DESCRIPTION: REMOTELY LOCATED CALL STATION FOR ASCENSION VERTICAL PLATFORM WHEELCHAIR LIFT.
 - 2. CHARACTERISTICS:
 - 2.1 COVER PLATE: STANDARD SIZE WALL PLATE (4.5" X 2.75"), BRUSHED STAINLESS STEEL.
 - 2.2 SWITCH: 3 POSITION ROCKER, REQUIRES CONSTANT PRESSURE TO ACTUATE.
 - 2.3 MOUNTING BOX: SURFACE MOUNT SINGLE GANG HANDY BOX, 2.00" DEEP.
 - 2.4 WEATHER RATING: SUITABLE FOR OUTDOOR USE.
 - 3. ADA REQUIREMENTS:
 - 3.1 MOUNT BETWEEN 15" AND 48" ABOVE FLOOR. IAW ADAAG 308.2 OR 308.3
 - 3.2 PROVIDE 30"x48" OR 48"x30" CLEAR FLOOR SPACE FOR ACCESSING CALL STATION. IAW ADAAG 309.2 & 305
- NOTE: CLEAR FLOOR SPACE MUST BE OUTSIDE SWING OF AUTOMATIC DOORS AND GATES.



(3) 1/4" QUICK-DISCONNECT TERMINALS (PROVIDED)



PART DASH NO.				QTY. REQ'D PER ASSY.	NEXT	FINAL	NEXT ASSY.	USED ON	APPLICATION	SIMILAR TO	ACT. WT.	CALC. WT.
FINISH				DO NOT SCALE DRAWING		UNLESS OTHERWISE SPECIFIED DIMENSIONS ARE IN INCHES TOLERANCES:		DECIMALS .XX ± N/A .XXX ± N/A		ANGLES ± N/A		CONTRACT NO.
DRAWN				S. APPLEYBY		DATE		9-16-22		CHECK		APPROVED
MANUFACTURING				By Philip Brobeck at 12:47 pm, Oct 04, 2022		CUSTOMER				TITLE		OPERATING STATION (CALL BOX) WALL MOUNTED

AGM CONTAINER CONTROLS, INC.			
P.O. BOX 40020 - TUCSON, ARIZONA 85717-0020			
SIZE		FSCM NO.	DWG. NO.
B		08992	115712
SCALE		1/1	RELEASE DATE
SHEET		1 OF 1	

4

3

2

1

4

3

2

1

NOTES UNLESS OTHERWISE SPECIFIED:

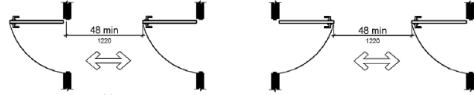
1. THIS DOCUMENT IS INTENDED TO ASSIST IN SITE PLANNING TO ENSURE REQUIRED CLEARANCES FOR LIFT AND REQUIRED ADA ENTRY CLEARANCES ARE PROVIDED.

2. ALL CLEARANCES SHOWN ARE THE **MINIMUM** CLEARANCES REQUIRED. OVERALL DIMENSIONS PROVIDED FOR MOST COMMONLY USED CONFIGURATION.

NOTE: FOR NON-DIMENSIONED CLEARANCES, THE DIFFERENCE IS PROVIDED IN PARENTHESIS, EX: (+6), (-18), ETC.

3. ONLY ONE OF THE ADA-REQUIRED ENTRY CLEARANCES SHOWN AT EACH LANDING MUST BE PROVIDED. MIRROR ENTRY CLEARANCE FOR OPPOSITE DOOR SWING. ENTRY CLEARANCE ALLOWED TO BE OFFSET UP TO 8" MAXIMUM FROM THE FACE OF THE DOOR (FOR WHEN DOOR IS RECESSED).

NOTE: ADDITIONAL CLEARANCE REQUIRED FOR DOORS IN SERIES: CLEARANCE OF 48" REQUIRED BETWEEN OPEN DOORS (SO EACH DOOR MAY BE NAVIGATED INDIVIDUALLY).

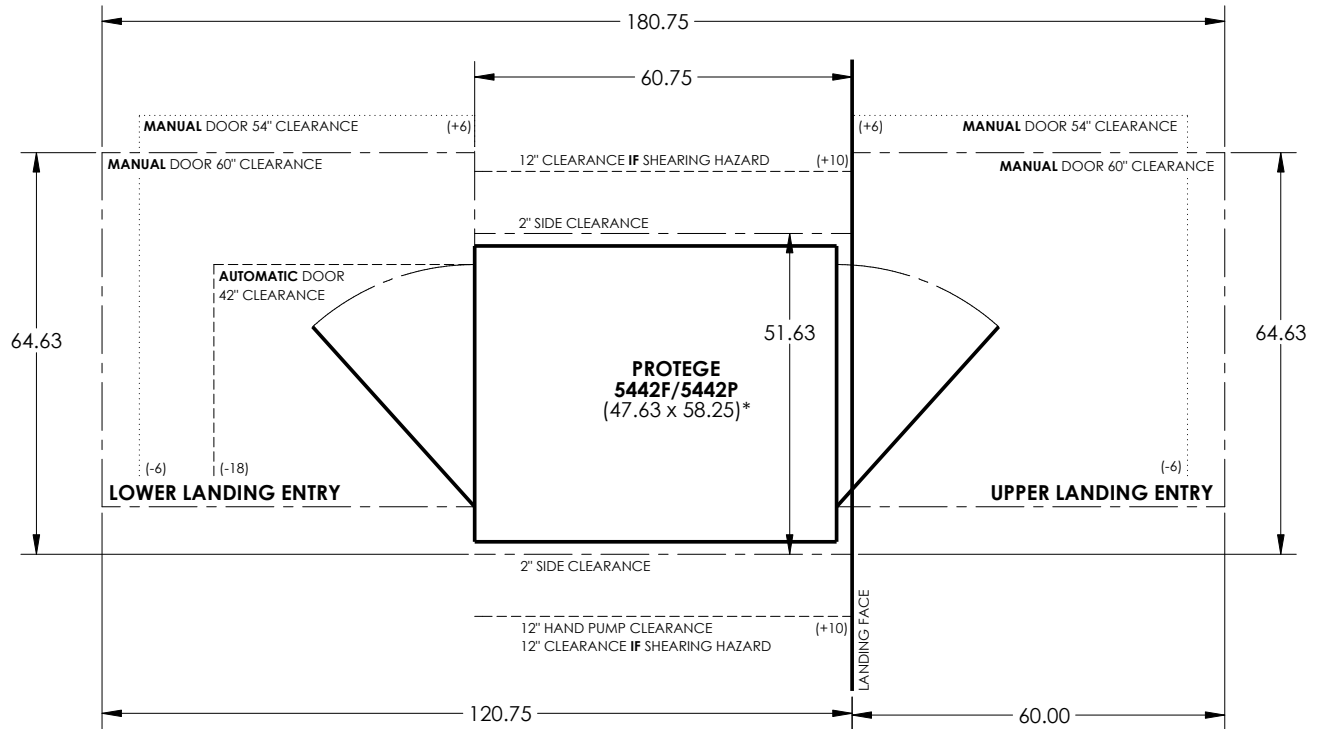


4. HAND PUMP CLEARANCE OPTIONAL. (MANUAL LOWERING PROVIDED BY FLV).

5. THE ONLY OBJECTS ALLOWED WITHIN 12" OF THE PLATFORM ARE SMOOTH, UNPERFORATED VERTICAL SURFACES WHICH DO NOT POSE SHEARING/CRUSHING HAZARDS. THIS APPLIES THROUGHOUT ENTIRE REQUIRED VERTICAL CLEARANCE (SEE NEXT NOTE).

6. REQUIRES OVERHEAD CLEARANCE OF 80" ABOVE PLATFORM FLOOR AT UPPER LANDING.

ZONE		LTR.	REVISIONS	DATE	APPROVAL
			DESCRIPTION		



*AUTOMATIC DOOR OPERATOR INCREASES OVERALL LIFT WIDTH (AND REQUIRED WIDTH CLEARANCE) BY 0.69"

				INTERPRET DIMENSIONS AND TOLERANCES IAW ANSI Y14.5M-1994		CONTRACT NO.		AGM CONTAINER CONTROLS, INC.	
				UNLESS OTHERWISE SPECIFIED DIMENSIONS ARE IN INCHES		DRAWN S.APPLEBY		P.O. BOX 40020 - TUCSON, ARIZONA 85717-0020	
				TOLERANCES:		DATE 2-29-24		TITLE	
				DECIMALS .XX ± N/A		CHECK		REQUIRED CLEARANCES FOR	
				ANGLES ± N/A		APPROVED		PROTEGE 5442F/5442P	
				DO NOT SCALE DRAWING		By Philip Brobeck at 3:24 pm, Feb 29, 2024		REV. A	
				FINISH		MANUFACTURING		SIZE B	
				PART DASH NO.		CUSTOMER		FSCM NO. 08992	
				QTY. REQ'D PER ASSY.		SCALE 1/20		DWG. NO. PROTEGE 5442F CLEARANCES	
				APPLICATION		RELEASE DATE		SHEET 1 OF 1	
				SIMILAR TO					
				ACT. WT.					
				CALC. WT.					

4

3

2

1