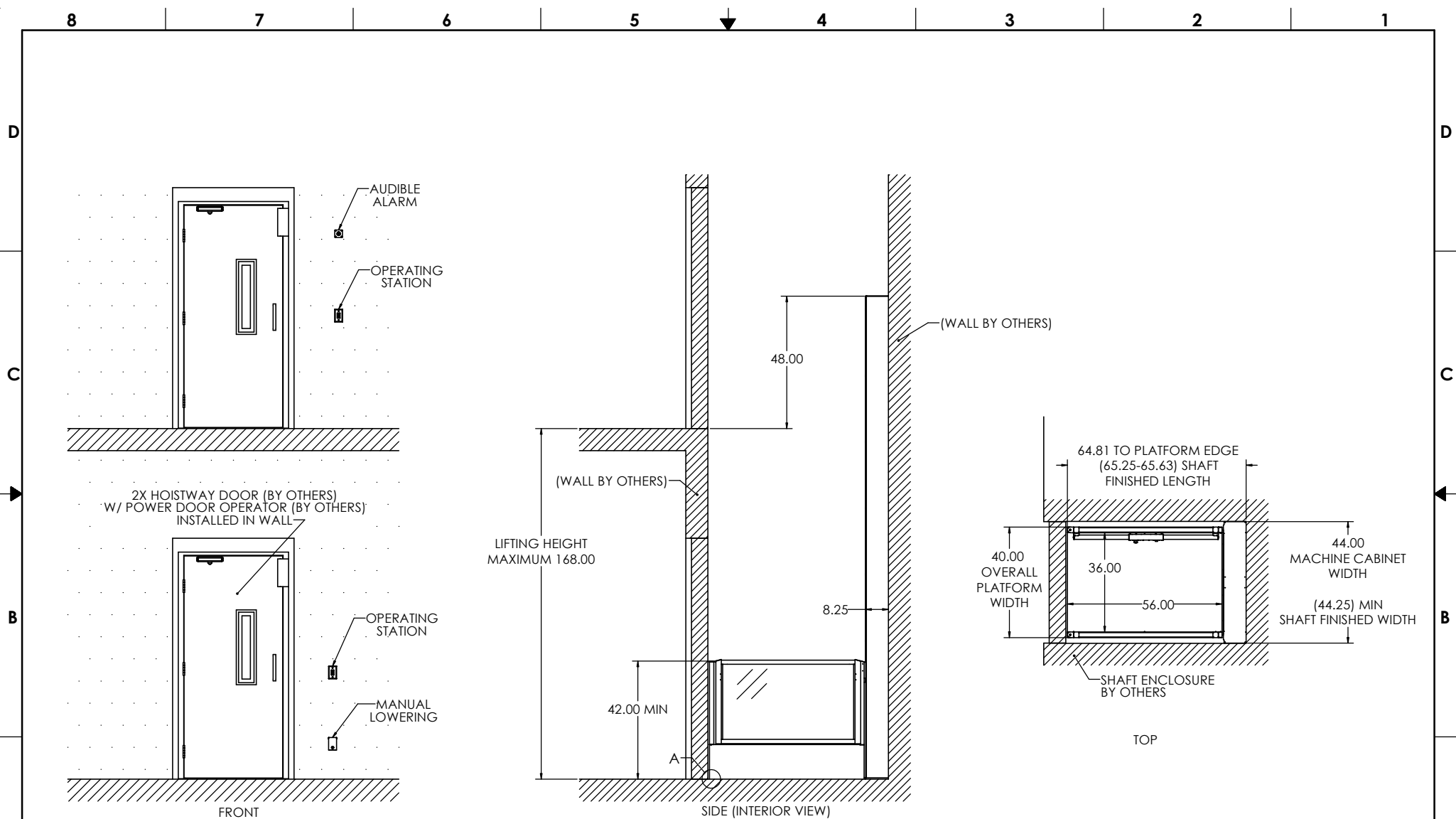


**GENERIC DRAWING; CONTACT ASCENSION FOR PROJECT-SPECIFIC DRAWINGS**

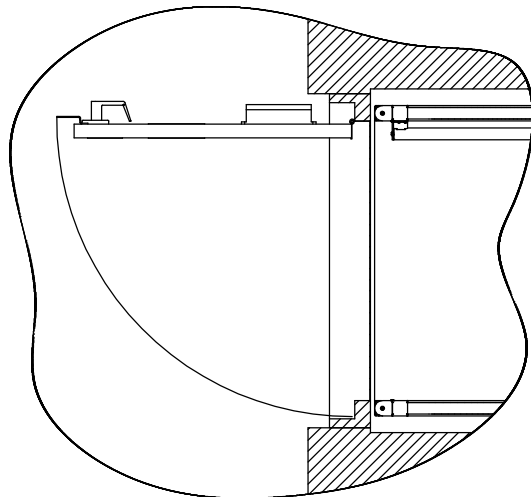
SEE OTHER CLARITY LIFT MODELS (16D, 16E, 16S, ETC.) FOR OTHER ENTRY/EXIT AND ENCLOSED/SHAFTWAY OPTIONS

SEE OPTIONS BROCHURE AND/OR SHEET 3 FOR VARIOUS CONFIGURATION OPTIONS

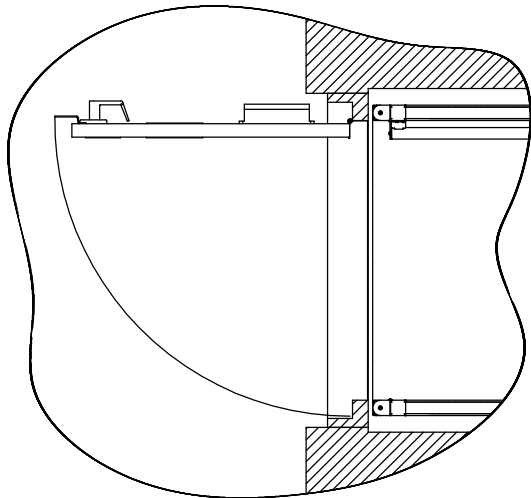


**ASCENSION CLARITY 16C VERTICAL PLATFORM WHEELCHAIR LIFT  
FOR PERMANENT SHAFTWAY LIFT APPLICATIONS**

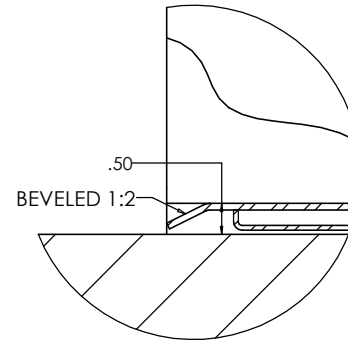
<small>INTERPRET DIMENSIONS AND TOLERANCES IN ACCORDANCE WITH ASME Y14.5M-1994 UNLESS OTHERWISE SPECIFIED DIMENSIONS ARE IN INCHES (MM) TOLERANCES ANGLES ± .1°</small>		<small>P.O. BOX 4000 TUCSON, ARIZONA 85717-0000</small>			
<small>DESIGNED BY</small> S. APPLEBY	<small>DATE</small> 8/5/2024	<b>CLARITY 16C SHAFTWAY, SAME-SIDE</b>			
<small>CHECKED BY</small> 	<small>APPROVED BY</small> 	<small>FSCM NO.</small> <b>D 08992</b>			
<small>SCALE</small> 1/16"	<small>RELEASED BY</small> 	<small>REV</small> <b>D</b>			
<small>SHEET</small> 1 OF 3		<small>FILE</small> Solidworks01\Ascension\CLARITY 16C.SLDRAW			



UPPER HOISTWAY DOOR SWING  
(DOOR BY OTHERS)  
(RH DOOR SHOWN)



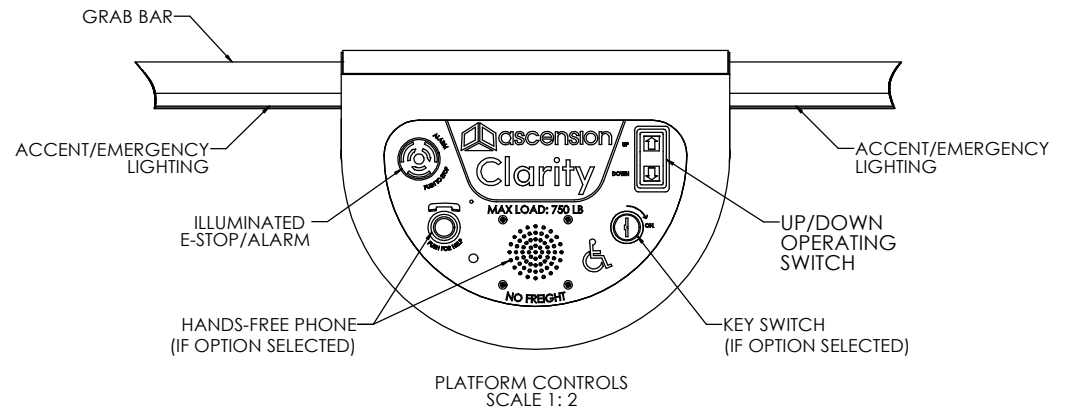
LOWER HOISTWAY DOOR SWING  
(DOOR BY OTHERS)  
(RH DOOR SHOWN)



DETAIL A  
SCALE 1 : 1  
PLATFORM FLOOR  
(ENCLOSURE HIDDEN)

DESIGNED FOR PITLESS  
INSTALLATION ON TOP OF  
FINISHED FLOOR.

LOW-PROFILE PLATFORM  
WITH ENTRY THRESHOLD  
IAW ADAAG 404.2.5.



PLATFORM CONTROLS  
SCALE 1 : 2

REV	FSCM NO.	DWG. NO.	REV
D	08992	CLARITY 16C	D
SCALE 1/16	RELEASE DATE	SHEET 2	

**CONFIGURATION**

TOTAL TRAVEL	168.00" MAX
ENTRY/EXIT CONFIG.	SAME SIDE
ENCLOSURE PROVIDED	NONE (BY OTHERS)

<b>LOWER LANDING</b>	
DOOR TYPE	HOISTWAY DOOR (BY OTHERS)
HANDING	RH/LH
DOOR OPERATOR	YES (BY OTHERS)
CALL STATION TYPE	WALL MOUNT
CALL STATION KEYED	YES/NO

<b>UPPER LANDING</b>	
DOOR TYPE	HOISTWAY DOOR (BY OTHERS)
HANDING	RH/LH
DOOR OPERATOR	YES (BY OTHERS)
CALL STATION TYPE	WALL MOUNT
CALL STATION KEYED	YES/NO

<b>PLATFORM</b>	
KEY SWITCH	YES/NO
HANDS-FREE PHONE	YES/NO
PLATFORM LIGHTING	STANDARD
SLIP-RESISTANT FLOOR	STANDARD

OUTDOORS	YES/NO
PIT SWITCH	STANDARD
MANUAL LOWERING	REMOTE WALL MOUNT
AUDIBLE ALARM	REMOTE WALL MOUNT
BATTERY BACKUP	STANDARD

**SPECIFICATIONS**

DESCRIPTION	SHAFTWAY VERTICAL PLATFORM WHEELCHAIR LIFT
CODE COMPLIANCE	ASME A18.1, ASME A17.5, NFPA 70 (NEC), ANSI A117.1, ADASAD (ADAAG)
APPLIED VERSION	ASME A18.1-2020
MODEL	CLARITY 16C
RATED LOAD	750 LB
RATED SPEED	20 FT/MIN
DUTY CYCLE	168 CYCLE-FT/HR (12 CYCLES/HR MINIMUM)
PLATFORM SIZE	36" X 56"
POWER SUPPLY	27VDC, 500W (18.5A)
BATTERIES	12V, 35A-h AGM SLA (2X)
CONTROL SYS.	24VDC
MOTOR	24VDC, 3 HP
DRIVING MEANS	2:1 CHAIN-HYDRAULIC

PLUNGER (2X)	1.25" SOLID
CYL. I.D. (2X)	2.00"
CYL. O.D. (2X)	2.38"
STROKE (2X)	(VARIES)

WORKING PSI	400 PSI
RELIEF PSI	600 PSI (1.5 X WP)

CHAIN TYPE	4X ANSI #50 ROLLER CHAIN
CHAIN STRENGTH	5045 LBF EACH
SAFETIES	2X TYPE A

DOOR LOCKS	(SEE HOISTWAY DOOR)
------------	---------------------

**CONFIGURATION: FINISHES**

LIFT COLOR (POWDER COAT)	<input type="checkbox"/> SILVER (STANDARD) <input type="checkbox"/> BLACK <input type="checkbox"/> CUSTOM: _____
HARDWARE COLOR	<input type="checkbox"/> SILVER (STANDARD) <input type="checkbox"/> BLACK <input type="checkbox"/> BRASS <input type="checkbox"/> OIL RUBBED BRONZE
PLATFORM WINDOWS	<input checked="" type="checkbox"/> CLEAR LAMINATED GLASS (STANDARD)
WINDOW ART	<input type="checkbox"/> NONE (STANDARD) <input type="checkbox"/> CUSTOM LOGO/IMAGE

**PROVISIONS BY OTHERS**

**GENERAL**

**HOISTWAY:** HOISTWAY MUST BE SQUARE AND PLUMB WITHIN 1/4" TO ENSURE PROPER LIFT OPERATION. SHAFT DIMENSIONS PROVIDED FOR REFERENCE ONLY. HOISTWAY MUST MEET ASME A18.1 AND ALL APPLICABLE STATE AND LOCAL CODES. HOISTWAY IS TO BE PROVIDED BY OTHERS.

**DOORS:** INSTALLATION OF DOORS TO MEET ALL APPLICABLE CODES. HOISTWAY DOORS TO BE PROVIDED BY OTHERS (SEE ATTACHED FOR RECOMMENDATION).

**REAR CABINET CLOSURE:** VERTICAL SURFACE BEHIND MACHINE CABINET SHALL HAVE STRENGTH AND STIFFNESS EQUIVALENT TO 14GA (.08) SHEET STEEL.

**DIMENSIONS:** TOTAL TRAVEL HEIGHT MUST BE WITHIN ±3/8" OF NOMINAL. VERIFY ALL DIMENSIONS AND IMMEDIATELY REPORT ANY DISCREPANCIES.

**FLOOR:** FLOOR BENEATH UNIT AND DOOR SWINGS MUST BE FLAT AND LEVEL WITHIN 1/8". OUTDOORS, DRAINAGE SHALL NOT FLOW THROUGH OR INTO UNIT.

**PIT/RAMP:** DO NOT PROVIDE PIT OR RAMP. LIFT DESIGNED WITH LOW-PROFILE PLATFORM FLOOR FOR DIRECT ENTRY IAW ADAAG 404.2.5.

**OVERHEAD CLEARANCE:** MUST COMPLY WITH ALL APPLICABLE CODES.

**CONSTRUCTION COORDINATION:** OWNER/AGENT RESPONSIBLE FOR ALL MASONRY, CARPENTRY, DRYWALL, PATCHING, AND FINISHING WORK NEEDED PRIOR TO AND FOLLOWING LIFT INSTALLATION.

**STRUCTURAL:** SUPPORTING STRUCTURE SHALL BE DESIGNED AND CONSTRUCTED TO SAFELY SUPPORT APPLIED LOADS IN ACCORDANCE WITH "CLARITY LOADING" DIAGRAM.

**ELECTRICAL**

**GENERAL:** ALL WIRING SHALL COMPLY WITH NFPA 70 (NEC).

**POWER:** 120VAC, 60HZ, 6A, 1PH CIRCUIT WITH DISCONNECT (SEE BELOW).

**CONCEALED REAR ACCESS:** CLEAR SPACE 7.25" X 7.50" (W X H) BEHIND LIFT AVAILABLE FOR WIRE ENTRY. SPACE CENTERED 10.88" RIGHT OF LIFT CENTERLINE AND NOMINALLY 6.88" ABOVE LOWER LANDING FLOOR.

**SIDE ACCESS:** TWO 1/2-14 NPSM THREADED HOLES ARE PROVIDED ON BOTH SIDES OF THE MACHINE CABINET. HOLES ARE NOMINALLY 2.25" AND 3.50" ABOVE LOWER FLOOR AND 1.00" FROM REAR VERTICAL WALL.

**MAIN DISCONNECT SWITCH:** OTHERS SHALL PROVIDE LOCKABLE FUSED DISCONNECT SWITCH IAW NFPA 70. SWITCH TO INCLUDE ADDITIONAL POLE OR CONTACT FOR DISCONNECTION OF CONTROLLER FROM 24V BACKUP SUPPLY.

**LIGHTING:** 54 LX MIN. AT PLATFORM AND LANDINGS.

**ADDITIONAL AC CONNECTIONS:** ADDITIONAL AC CONNECTIONS REQUIRED FOR: VENTILATION SYSTEM (IF EQUIPPED), 120VAC 1.3A 60HZ 1PH.

DOOR OPERATORS (BY OTHERS), POWER REQ. PER MANUFACTURER

**PHONE:** STANDARD PHONE CABLE WITH RJ11 PLUG CONNECTOR REQUIRED FOR OPTIONAL (ANALOG) HANDS-FREE PHONE, WHERE PROVIDED.

REV	FSCM NO.	DWG. NO.	REV
D	08992	CLARITY 16C	D
SCALE 1/16	RELEASED	SHEET 3	





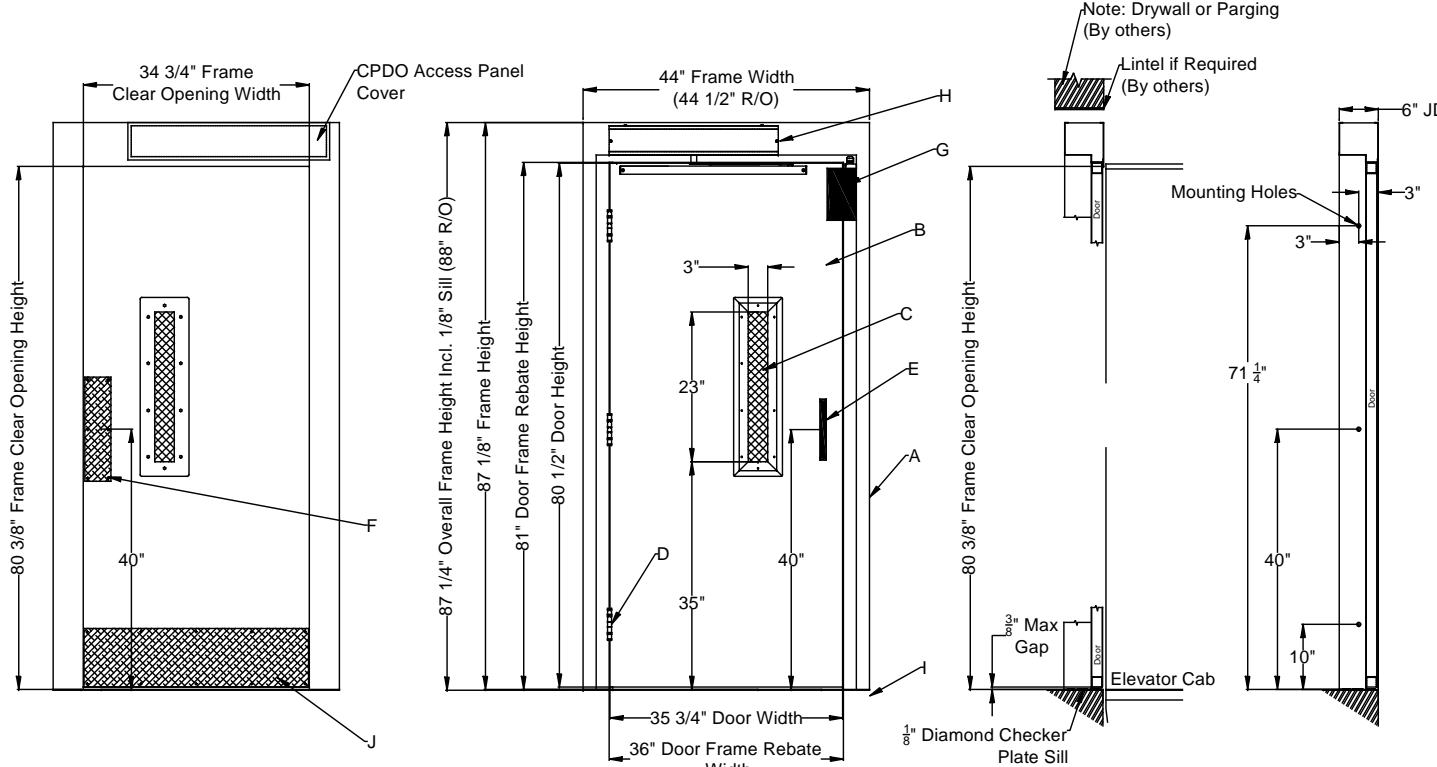






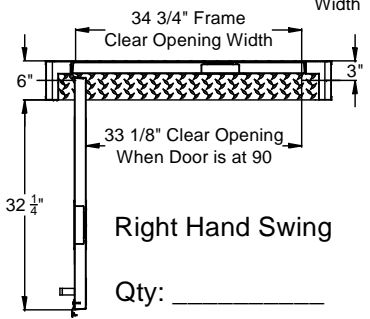
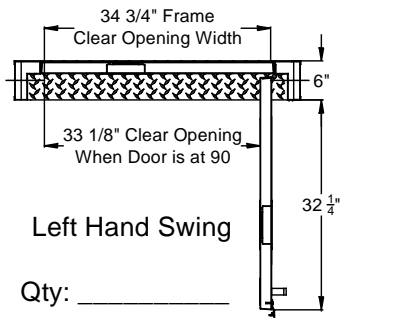


# BELCO DOORS COM-316 ORDER FORM

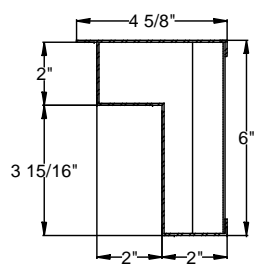


1-1/2 Hour Elevator Approved "B" Fire Label

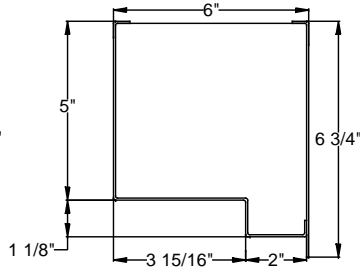
- A. 16ga. Frame (Galvanneal & Paint Ready)
- B. 18ga. Steel Door (Honeycomb Core, Galvanneal & Paint Ready)
- C. 3" x 23" Vision Panel (1/4" Wired Glass)
- D. (3) 4 1/2" NRP BB Hinges (US26D Finish)
- E. D-Handle (Brushed Aluminum)
- F. Push Plate (Brushed Aluminum)
- G. EMI Interlock (Atlas Atlock)
- H. Concealed PDO-110V (Optional)
- I. Flat Diamond Zinc Plated Sill with Sill Pins
- J. Kick Plate (Brushed Aluminum)



Side Jamb Profile



Head Jamb Profile



Standard Entrances are provided with a Manual Door Closer, if Power Door Operation is Required - Please Check Box Below

Power Door Operation is Required

Standard Entrances are for Interior use, if Exterior Application Pkg. is Required - Please Check Box Below

Exterior Application Pkg. Required

NIAGARA BELCO DOORS LTD. IS NOT RESPONSIBLE FOR THE STRUCTURAL DESIGN OF THE BUILDING AND ITS ABILITY TO SUPPORT THE ENTRANCE.

REV NO.	REVISION DESCRIPTION	DATE	BY
0	INITIAL RELEASE	2NOV22	JPH

AGM Container			
COM-316-3681-CPDO			
Size 36" x 81"			
SCALE:			
DRAWN BY:	DATE LAST MODIFIED:	DRAWING NO.	REV SHEET NO.
JPH	NOV 15 2022	COM-316-3681-CPDO	0 1 OF 1