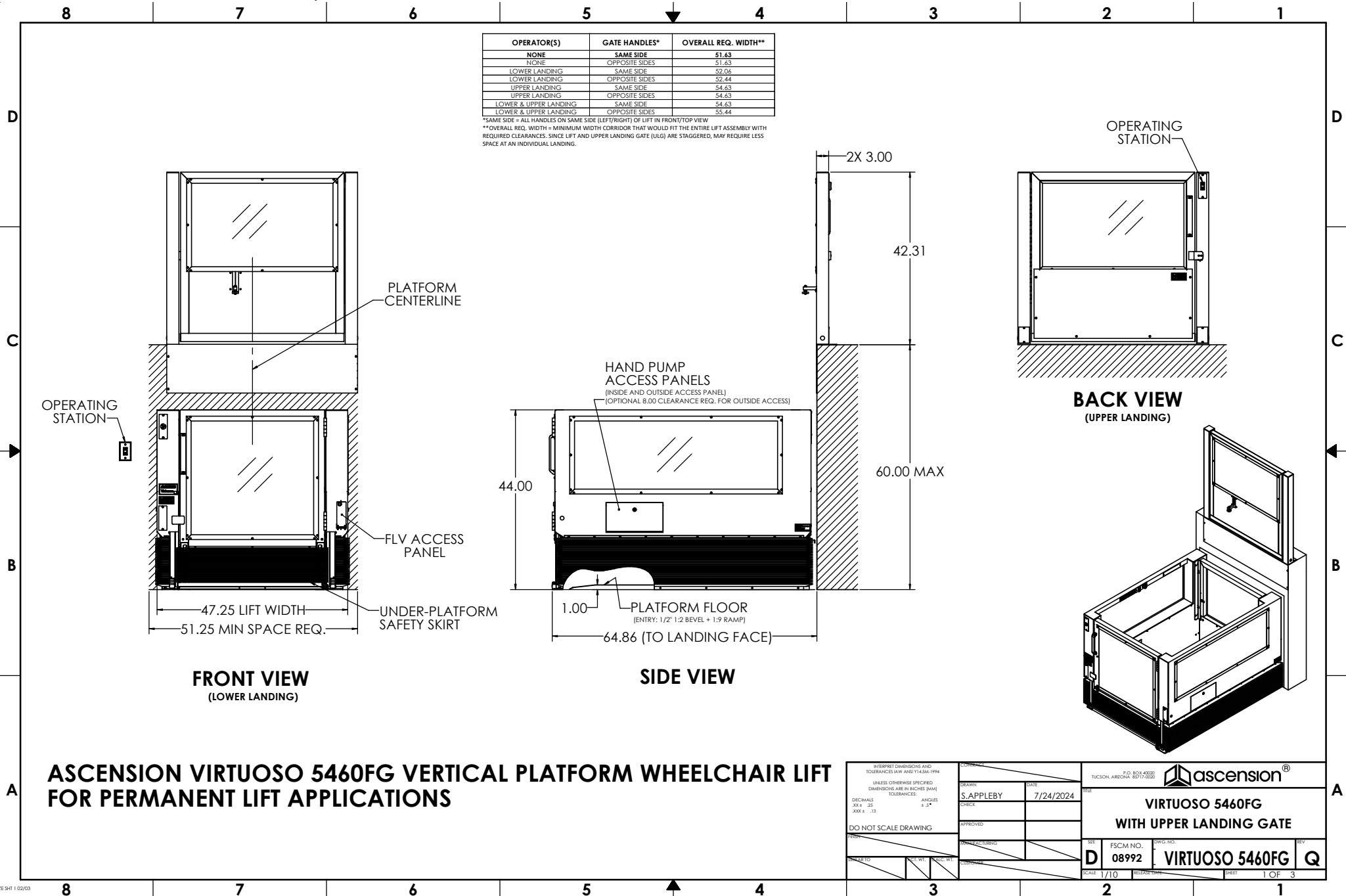


GENERIC DRAWING; CONTACT ASCENSION FOR PROJECT-SPECIFIC DRAWINGS

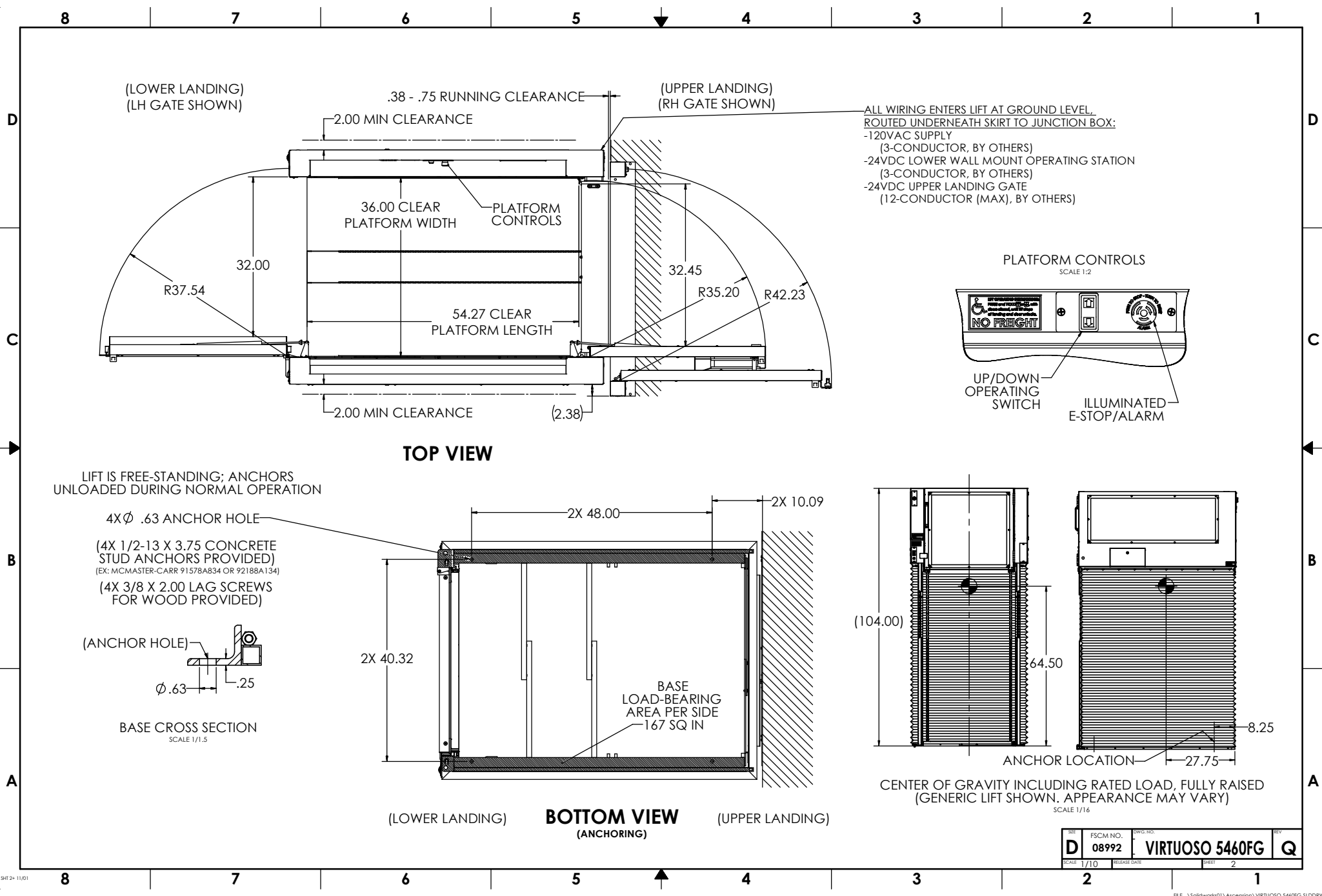
SEE OTHER VIRTUOSO FIXED LIFT MODEL (5460F) FOR VERSION WITHOUT UPPER LANDING GATE

SEE OPTIONS BROCHURE AND/OR SHEET 3 FOR VARIOUS CONFIGURATION OPTIONS



ASCENSION VIRTUOSO 5460FG VERTICAL PLATFORM WHEELCHAIR LIFT FOR PERMANENT LIFT APPLICATIONS

INTERPRET DIMENSIONS AND TOLERANCES (AW ANS I 14.5M-1994) UNLESS OTHERWISE SPECIFIED DIMENSIONS ARE IN INCHES (MM) TOLERANCES ANGLES ± .4°		ascension® F.O. BOX 4000 TUCSON, ARIZONA 85717-0000	
DRAWN BY S. APPELBY	DATE 7/24/2024	VIRTUOSO 5460FG WITH UPPER LANDING GATE	
CHECKED DO NOT SCALE DRAWING	APPROVED	SET D	FSCM NO. 08992
PART NO.	REV. NO.	DWG. NO. VIRTUOSO 5460FG	REV.
SCALE 1/10	RELEASE DATE	SHEET 1 OF 3	FILE \Solidworks01\Ascension\VIRTUOSO 5460FG.SLDDRW



REV	FSCM NO.	DWG. NO.	REV
D	08992	VIRTUOSO 5460FG	Q
SCALE 1/10	RELEASE DATE	SHEET 2	

8 7 6 5 4 3 2 1

CONFIGURATION

TOTAL TRAVEL	UP TO 60.00"
ENTRY/EXIT CONFIG.	STRAIGHT THROUGH

LOWER LANDING	
DOOR TYPE	PLATFORM GATE
HANDING	RH/LH
DOOR OPERATOR	YES/NO
CALL STATION TYPE*	WALL/FRAME MOUNT
CALL STATION KEYED	YES/NO

UPPER LANDING	
DOOR TYPE	LANDING GATE
HANDING	RH/LH
DOOR OPERATOR	YES/NO
CALL STATION TYPE	WALL/FRAME MOUNT
CALL STATION KEYED	YES/NO

PLATFORM	
KEY SWITCH	YES/NO
HANDS-FREE PHONE	YES/NO
AUXILIARY LIGHTING	YES/NO
GRAB BAR	STANDARD
SLIP-RESISTANT FLOOR	STANDARD

OUTDOORS	NO (N/A)
PIT SWITCH	STANDARD
AUDIBLE ALARM	STANDARD
UNDER-PLATFORM SAFETY SKIRT	STANDARD
UNDER-PLATFORM SAFETY PAN	YES/NO
ACCESS PANELS (4X)	STANDARD
HAND PUMP	STANDARD
FRONT LOWERING VALVE (FLV)	STANDARD
EXTERNAL BATTERY BACKUP UNIT (UPS)	YES/NO

*WALL MOUNT (NOT FRAME MOUNT) REQUIRED IF TRAVEL EXCEEDS 30" OR LOWER DOOR OPERATOR OPTION SELECTED.

SPECIFICATIONS

DESCRIPTION	VERTICAL PLATFORM WHEELCHAIR LIFT
CODE COMPLIANCE	ASME A18.1, ASME A17.5, NFPA 70 (NEC), ANSI A117.1, ADASAD (ADAAG)
APPLIED VERSION	ASME A18.1-2020
MODEL	VIRTUOSO 5460FG
UNIT WEIGHT	1050 LB
RATED LOAD	750 LB
RATED SPEED	7 FT/MIN
DUTY CYCLE S2:	20 MIN SINGLE RUN
PLATFORM SIZE	36" X 54.25"
POWER SUPPLY	24VDC, 2.5A (60W)
CONTROL SYS.	24VDC
MOTOR	115VAC, 1/2 HP

DRIVING MEANS	DIRECT-PLUNGER HYDRAULIC
PLUNGER (2X)	1.125" SOLID
CYL. I.D.	2.75" MASTER, 2.50" SLAVE
CYL. O.D.	3.13" MASTER, 2.88" SLAVE
STROKE (2X)	40.5"
SAFETIES TYPE	NONE (IAW ASME A18.1 §2.8.8)

WORKING PSI	900 PSI MAX
RELIEF PSI	900 PSI

DOOR LOCKS	LOWER: HYDRAULIC UPPER: IDEC HS5L
------------	--------------------------------------

CONFIGURATION: FINISHES

LIFT COLOR (POWDER COAT)	<input checked="" type="checkbox"/> BLACK (STANDARD) <input type="checkbox"/> SILVER <input type="checkbox"/> CUSTOM: _____
HARDWARE COLOR	<input checked="" type="checkbox"/> SILVER (STANDARD) <input type="checkbox"/> BLACK <input type="checkbox"/> BRASS <input type="checkbox"/> OIL RUBBED BRONZE
WINDOWS	<input checked="" type="checkbox"/> CLEAR PLEXIGLAS (STANDARD) <input type="checkbox"/> TINTED PLEXIGLAS (30%) <input type="checkbox"/> FROSTED PLEXIGLAS <input type="checkbox"/> POWDER COATED STEEL
WINDOW ART	<input checked="" type="checkbox"/> NONE (STANDARD) <input type="checkbox"/> CUSTOM LOGO/IMAGE

PROVISIONS BY OTHERS

GENERAL

HOISTWAY: FINISHED VERTICAL LANDING FACE MUST BE SQUARE AND PLUMB WITHIN 1/4" TO ENSURE PROPER LIFT OPERATION. WHERE ANY PERMANENT STRUCTURE IS WITHIN 12" OF EITHER SIDE OF THE LIFT, IT MUST BE DESIGNED AND BUILT IN ACCORDANCE WITH ASME A18.1 AND ALL APPLICABLE STATE AND LOCAL CODES.

FLOOR: FLOOR BENEATH UNIT AND DOOR SWINGS MUST BE FLAT AND LEVEL WITHIN 1/8" AND CAPABLE OF SUPPORTING UNIT WEIGHT WITH RATED LOAD. OUTDOORS, DRAINAGE SHALL NOT FLOW THROUGH OR INTO UNIT.

PIT/RAMP: UNLESS OTHERWISE SPECIFIED, DO NOT PROVIDE PIT OR RAMP. LIFT DESIGNED WITH LOW-PROFILE PLATFORM FLOOR FOR DIRECT ENTRY.

OVERHEAD CLEARANCE: MUST COMPLY WITH ALL APPLICABLE CODES.

CONSTRUCTION COORDINATION: OWNER/AGENT RESPONSIBLE FOR ALL MASONRY, CARPENTRY, DRYWALL, PATCHING, AND FINISHING WORK NEEDED PRIOR TO AND FOLLOWING LIFT INSTALLATION.

ELECTRICAL

GENERAL: ALL WIRING SHALL COMPLY WITH NFPA 70 (NEC).

POWER: 120VAC, 60HZ, 15A, 1PH CIRCUIT WITH DISCONNECT (SEE BELOW).

MAIN DISCONNECT SWITCH: OTHERS SHALL PROVIDE LOCKABLE FUSED DISCONNECT SWITCH IAW NFPA 70 (SECTION 620.51).

LIGHTING: 54 LX MIN AT PLATFORM AND LANDINGS.

EMERGENCY LIGHTING: 2.2 LX MIN AT PLATFORM AND CONTROLS (4 HOURS MIN) (WHERE NOT PROVIDED BY "AUXILIARY LIGHTING" OPTION).

PHONE: STANDARD PHONE CABLE WITH RJ11 RECEPTACLE CONNECTOR REQUIRED FOR OPTIONAL (ANALOG) HANDS-FREE PHONE, WHERE PROVIDED.

INSTALLATION FEATURES

TRANSPORTABILITY: DISPOSABLE CASTERS INCLUDED TO WHEEL LIFT TO PERMANENT INSTALL LOCATION.

COMPRESSIBILITY: LIFT COMPRESSIBLE TO 33" TO FIT THROUGH DOORWAYS.

REV	FSCM NO.	DWG. NO.	REV
D	08992	VIRTUOSO 5460FG	Q
SCALE	1/10	RELEASE DATE	SHEET 3

8 7 6 5 4 3 2 1

4

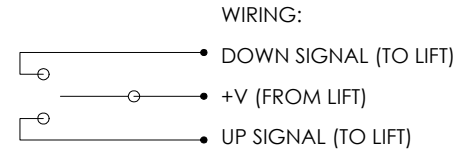
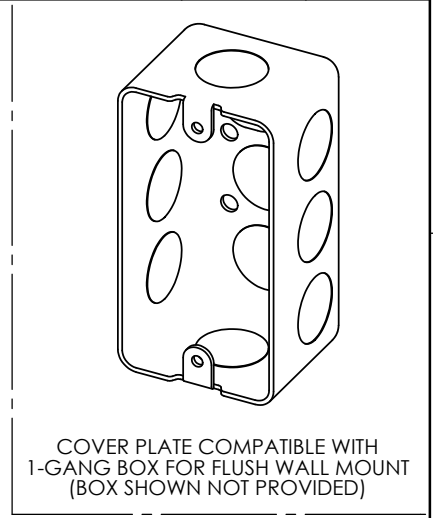
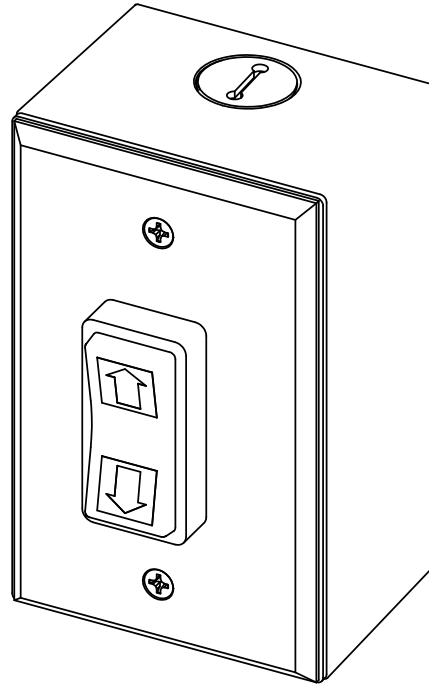
3

2

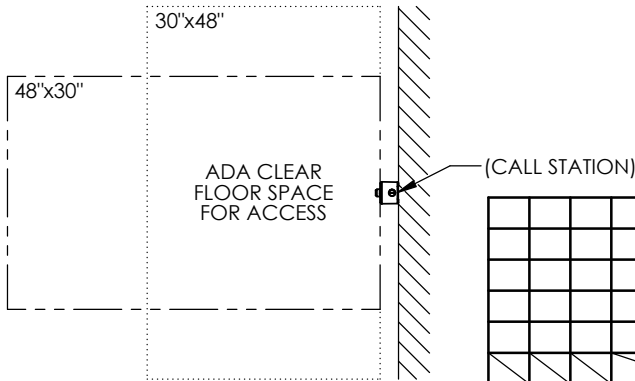
1

NOTES UNLESS OTHERWISE SPECIFIED:

- 1. DESCRIPTION: REMOTELY LOCATED CALL STATION FOR ASCENSION VERTICAL PLATFORM WHEELCHAIR LIFT.
 - 2. CHARACTERISTICS:
 - 2.1 COVER PLATE: STANDARD SIZE WALL PLATE (4.5" X 2.75"), BRUSHED STAINLESS STEEL.
 - 2.2 SWITCH: 3 POSITION ROCKER, REQUIRES CONSTANT PRESSURE TO ACTUATE.
 - 2.3 MOUNTING BOX: SURFACE MOUNT SINGLE GANG HANDY BOX, 2.00" DEEP.
 - 2.4 WEATHER RATING: SUITABLE FOR OUTDOOR USE.
 - 3. ADA REQUIREMENTS:
 - 3.1 MOUNT BETWEEN 15" AND 48" ABOVE FLOOR. IAW ADAAG 308.2 OR 308.3
 - 3.2 PROVIDE 30"x48" OR 48"x30" CLEAR FLOOR SPACE FOR ACCESSING CALL STATION. IAW ADAAG 309.2 & 305
- NOTE: CLEAR FLOOR SPACE MUST BE OUTSIDE SWING OF AUTOMATIC DOORS AND GATES.



(3) 1/4" QUICK-DISCONNECT TERMINALS (PROVIDED)



INTERPRET DIMENSIONS AND TOLERANCES IAW ANSI Y14.5M-1994				CONTRACT NO.	
UNLESS OTHERWISE SPECIFIED DIMENSIONS ARE IN INCHES				DRAWN S. APPELBY DATE 9-16-22	
TOLERANCES:				CHECK	
DECIMALS .XX ± N/A .XXX ± N/A		ANGLES ± N/A		APPROVED By Philip Brobeck at 12:47 pm, Oct 04, 2022	
DO NOT SCALE DRAWING					
PART DASH NO.			MANUFACTURING		
NEXT FINAL NEXT ASSY. USED ON			CUSTOMER		
QTY. REQ'D PER ASSY.			FINISH		
APPLICATION			SIMILAR TO		
			ACT. WT. CALC. WT.		

AGM CONTAINER CONTROLS, INC.			
P.O. BOX 40020 - TUCSON, ARIZONA 85717-0020			
OPERATING STATION (CALL BOX) WALL MOUNTED			
SIZE B	FSCM NO. 08992	DWG. NO. 115712	REV. D
SCALE 1/1	RELEASE DATE	SHEET 1 OF 1	

4

3

2

1

4

3

2

1

NOTES UNLESS OTHERWISE SPECIFIED:

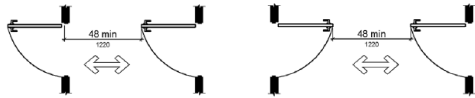
1. THIS DOCUMENT IS INTENDED TO ASSIST IN SITE PLANNING TO ENSURE REQUIRED CLEARANCES FOR LIFT AND REQUIRED ADA ENTRY CLEARANCES ARE PROVIDED.

2. ALL CLEARANCES SHOWN ARE THE **MINIMUM** CLEARANCES REQUIRED. OVERALL DIMENSIONS PROVIDED FOR MOST COMMONLY USED CONFIGURATION.

NOTE: FOR NON-DIMENSIONED CLEARANCES, THE DIFFERENCE IS PROVIDED IN PARENTHESIS. EX: (+6), (-18), ETC.

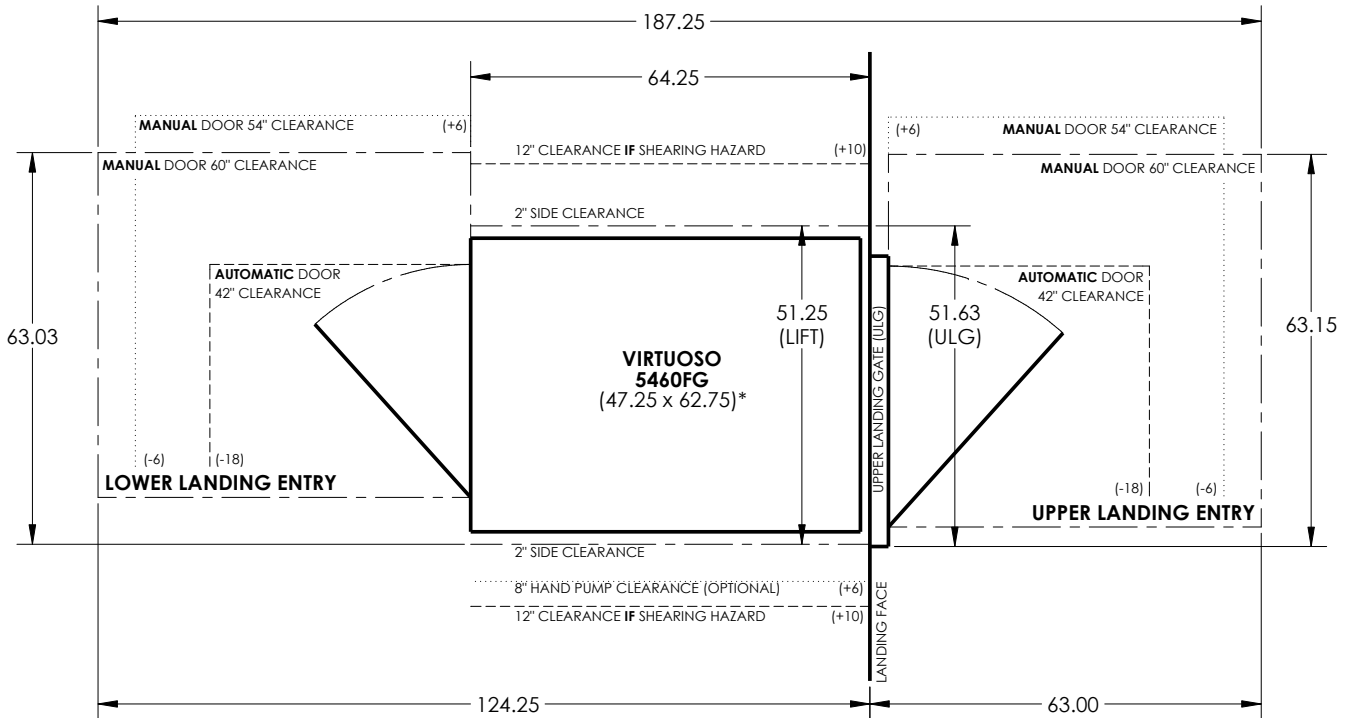
3. ONLY ONE OF THE THREE ADA-REQUIRED ENTRY CLEARANCES SHOWN AT EACH LANDING MUST BE PROVIDED. MIRROR ENTRY CLEARANCE FOR OPPOSITE DOOR SWING. ENTRY CLEARANCE ALLOWED TO BE OFFSET UP TO 8" MAXIMUM FROM THE FACE OF THE DOOR (FOR WHEN DOOR IS RECESSED).

NOTE: ADDITIONAL CLEARANCE REQUIRED FOR DOORS IN SERIES: CLEARANCE OF 48" REQUIRED BETWEEN OPEN DOORS (SO EACH DOOR MAY BE NAVIGATED INDIVIDUALLY).



4. THE ONLY OBJECTS ALLOWED WITHIN 12" OF THE PLATFORM ARE SMOOTH, UNPERFORATED VERTICAL SURFACES WHICH DO NOT POSE SHEARING/CRUSHING HAZARDS. THIS APPLIES THROUGHOUT ENTIRE REQUIRED VERTICAL CLEARANCE (SEE NEXT NOTE).

5. REQUIRES OVERHEAD CLEARANCE OF 80" ABOVE PLATFORM FLOOR AT UPPER LANDING.



*AUTOMATIC DOOR OPERATORS INCREASE OVERALL LIFT/ULG WIDTH AND, CONSEQUENTLY, INCREASE REQUIRED OVERALL CLEAR WIDTH

Table with technical specifications, drawing information, and approval details for Virtuoso 5460FG clearances.

4

3

2

1