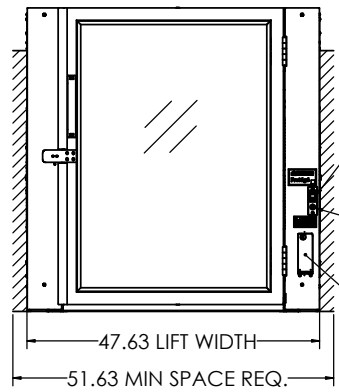
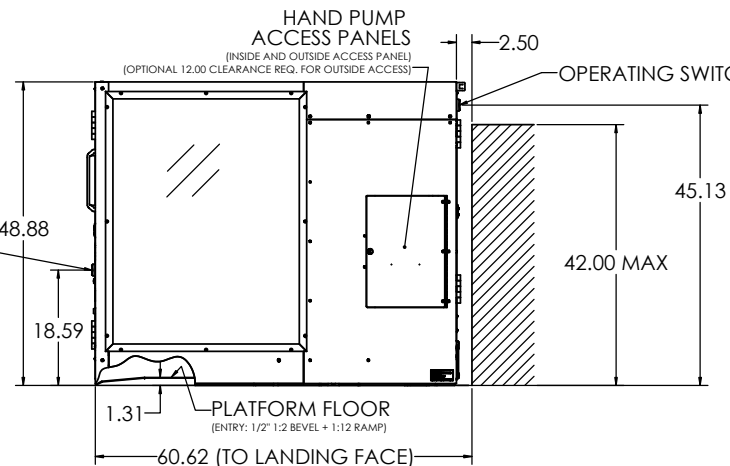


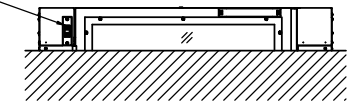
8 7 6 5 4 3 2 1



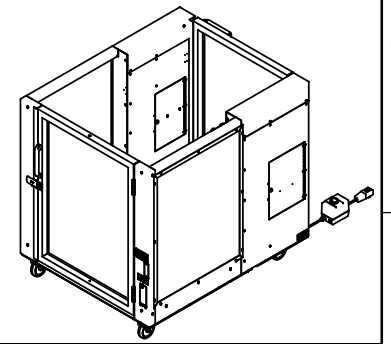
FRONT VIEW
(LOWER LANDING)



SIDE VIEW



BACK VIEW
(UPPER LANDING)



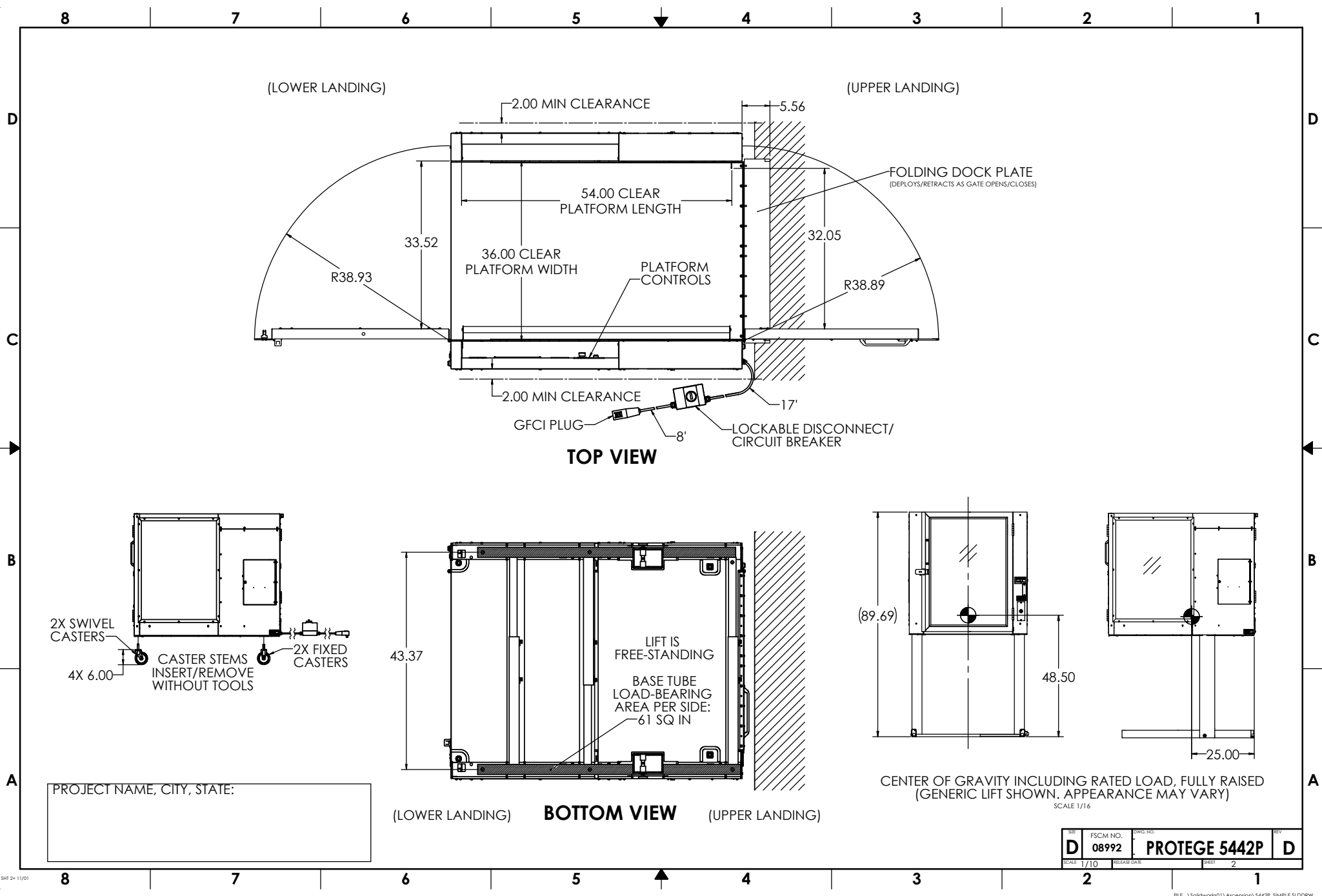
ASCENSION PROTÉGÉ 5442P VERTICAL PLATFORM WHEELCHAIR LIFT FOR RELOCATABLE LIFT APPLICATIONS

PROJECT NAME, CITY, STATE:

PROTEGE P/N:
PROTEGE 5442P-1

<small>INTERPRET DIMENSIONE AND TOLERANCES LAW ANSI Y14.5M-1994 UNLESS OTHERWISE SPECIFIED DIMENSIONE ARE IN INCHES (MM) TOLERANCEE</small>		<small>P.O. BOX 40022 TUCSON, ARIZONA 85717-0022</small>			
<small>DRAWN BY</small> S. APPLEBY	<small>DATE</small> 3/1/2024	PROTEGE 5442P RELOCATABLE PLATFORM LIFT			
<small>DECIMALS</small> XXX.XX XXX.X XXX.XX	<small>ANGLES</small> ±.5°	<small>APPROVED</small> By Philip Ebrobeck at 9:07 am, Mar 04, 2024	<small>SCALE</small> 1/10	<small>FSCM NO.</small> 08992	<small>DWG. NO.</small> PROTEGE 5442P
<small>DO NOT SCALE DRAWING</small>		<small>RELEASE DATE</small> 	<small>SHEET</small> 1 OF 3		

D SIZE SH1 1 02/03 8 7 6 5 4 3 2 1



REV	FSCM NO.	DWG. NO.	REV
D	08992	PROTEGE 5442P	D
SCALE 1/10	RELEASE DATE	SHEET 2	

CONFIGURATION

TOTAL TRAVEL	UP TO 42.00"
ENTRY/EXIT CONFIG.	STRAIGHT THROUGH

LOWER LANDING	
DOOR TYPE	PLATFORM GATE
HANDING	LH
DOOR OPERATOR	NO
CALL STATION TYPE*	FRAME MOUNT
CALL STATION KEYED	NO

UPPER LANDING	
DOOR TYPE	PLATFORM GATE
HANDING	RH
DOOR OPERATOR	N/A
CALL STATION TYPE*	FRAME MOUNT
CALL STATION KEYED	NO

PLATFORM	
KEY SWITCH	NO
GRAB BAR	STANDARD
SLIP-RESISTANT FLOOR	STANDARD

COLOR	<input type="checkbox"/> BLACK <input type="checkbox"/> CUSTOM: _____
WINDOWS	PLEXIGLAS, CLEAR
OUTDOOR PACKAGE	NO
AUDIBLE ALARM	STANDARD
UNDER-PLATFORM SAFETY PAN	STANDARD
TILT SWITCH	STANDARD
ACCESS PANELS (4X)	STANDARD
HAND PUMP	STANDARD
FRONT LOWERING VALVE (FLV)	STANDARD
ELECTRICAL POWER	120VAC 60HZ 13A
PLUG TYPE	NEMA 5-15 (TYPICAL USA PLUG)
EXTERNAL BATTERY BACKUP UNIT (UPS)	NO
STANCHION PKG*	NO
COMPRESSION/ EXPANSION TOOLKIT	NO
LIFT COVER	NO

* OPTIONAL STANCHION PACKAGE KEEPS OPERATING SWITCHES WITHIN ADA REACH RANGE WHEN TRAVEL EXCEEDS 29 INCHES.

PROJECT NAME, CITY, STATE:

SPECIFICATIONS

DESCRIPTION	VERTICAL PLATFORM WHEELCHAIR LIFT
CODE COMPLIANCE	ASME A18.1, ASME A17.5, NFPA 70 (NEC), ANSI A117.1, ADASAD (ADAAG)
APPLIED VERSION	ASME A18.1-2020
MODEL	PROTEGE 5442P
UNIT WEIGHT	850 LB
RATED LOAD	900 LB
RATED SPEED	5 FT/MIN
DUTY CYCLE	S2: 20 MIN SINGLE RUN S3: 13% INTERMITTENT RUN
PLATFORM SIZE	36" X 58"
POWER SUPPLY	24VDC, 1.75A (42W)
CONTROL SYS.	24VDC
MOTOR	115VAC, 1/2 HP

DRIVING MEANS	DIRECT-PLUNGER HYDRAULIC
PLUNGER (2X)	1.125" SOLID
CYL. I.D.	2.75" MASTER, 2.50" SLAVE
CYL. O.D.	3.13" MASTER, 2.88" SLAVE
STROKE (2X)	41.5"
SAFETIES TYPE	NONE (IAW ASME A18.1 §2.8.8)

WORKING PSI	400 PSI
RELIEF PSI	600 PSI (1.5 X WP)

DOOR LOCK	IDEC HSSL
-----------	-----------

PROVISIONS BY OTHERS

GENERAL

HOISTWAY: FINISHED VERTICAL LANDING FACE MUST BE SQUARE AND PLUMB WITHIN 1/4" TO ENSURE PROPER LIFT OPERATION. WHERE ANY PERMANENT STRUCTURE IS WITHIN 12" OF EITHER SIDE OF THE LIFT, IT MUST BE DESIGNED AND BUILT IN ACCORDANCE WITH ASME A18.1 AND ALL APPLICABLE STATE AND LOCAL CODES.

FLOOR: FLOOR BENEATH UNIT AND DOOR SWINGS MUST BE FLAT AND LEVEL WITHIN 1/8" AND CAPABLE OF SUPPORTING UNIT WEIGHT WITH RATED LOAD. OUTDOORS, DRAINAGE SHALL NOT FLOW THROUGH OR INTO UNIT.

PIT/RAMP: UNLESS OTHERWISE SPECIFIED, DO NOT PROVIDE PIT OR RAMP. LIFT DESIGNED WITH LOW-PROFILE PLATFORM FLOOR FOR DIRECT ENTRY.

OVERHEAD CLEARANCE: MUST COMPLY WITH ALL APPLICABLE CODES.

ELECTRICAL

POWER: SINGLE PHASE AC. SEE CONFIGURATION TABLE FOR DETAILS.

LIGHTING: 54 LX MIN AT PLATFORM AND LANDINGS.

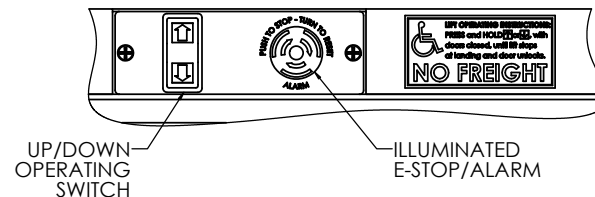
EMERGENCY LIGHTING: 2.2 LX MIN AT PLATFORM AND CONTROLS (4 HOURS MIN).

TRANSPORTABILITY FEATURES

REMOVABLE CASTERS: INCLUDED TO WHEEL LIFT BETWEEN STORAGE AND USE LOCATIONS. STORED IN LOCKED SIDE CABINET WHEN LIFT IS SET UP FOR USE.

COMPRESSIBILITY: LIFT COMPRESSIBLE TO 33" TO FIT THROUGH DOORWAYS.

PLATFORM CONTROLS
SCALE 1:1.5



REV	FSCM NO.	DWG. NO.	REV
D	08992	PROTEGE 5442P	D
SCALE 1/10	RELEASE DATE	SHEET 3	

4

3

2

1

NOTES UNLESS OTHERWISE SPECIFIED:

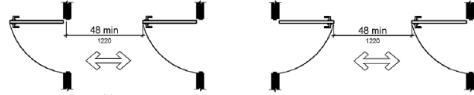
1. THIS DOCUMENT IS INTENDED TO ASSIST IN SITE PLANNING TO ENSURE REQUIRED CLEARANCES FOR LIFT AND REQUIRED ADA ENTRY CLEARANCES ARE PROVIDED.

2. ALL CLEARANCES SHOWN ARE THE **MINIMUM** CLEARANCES REQUIRED. OVERALL DIMENSIONS PROVIDED FOR MOST COMMONLY USED CONFIGURATION.

NOTE: FOR NON-DIMENSIONED CLEARANCES, THE DIFFERENCE IS PROVIDED IN PARENTHESIS. EX: (+6), (-18), ETC.

3. ONLY ONE OF THE ADA-REQUIRED ENTRY CLEARANCES SHOWN AT EACH LANDING MUST BE PROVIDED. MIRROR ENTRY CLEARANCE FOR OPPOSITE DOOR SWING. ENTRY CLEARANCE ALLOWED TO BE OFFSET UP TO 8" MAXIMUM FROM THE FACE OF THE DOOR (FOR WHEN DOOR IS RECESSED).

NOTE: ADDITIONAL CLEARANCE REQUIRED FOR DOORS IN SERIES: CLEARANCE OF 48" REQUIRED BETWEEN OPEN DOORS (SO EACH DOOR MAY BE NAVIGATED INDIVIDUALLY).

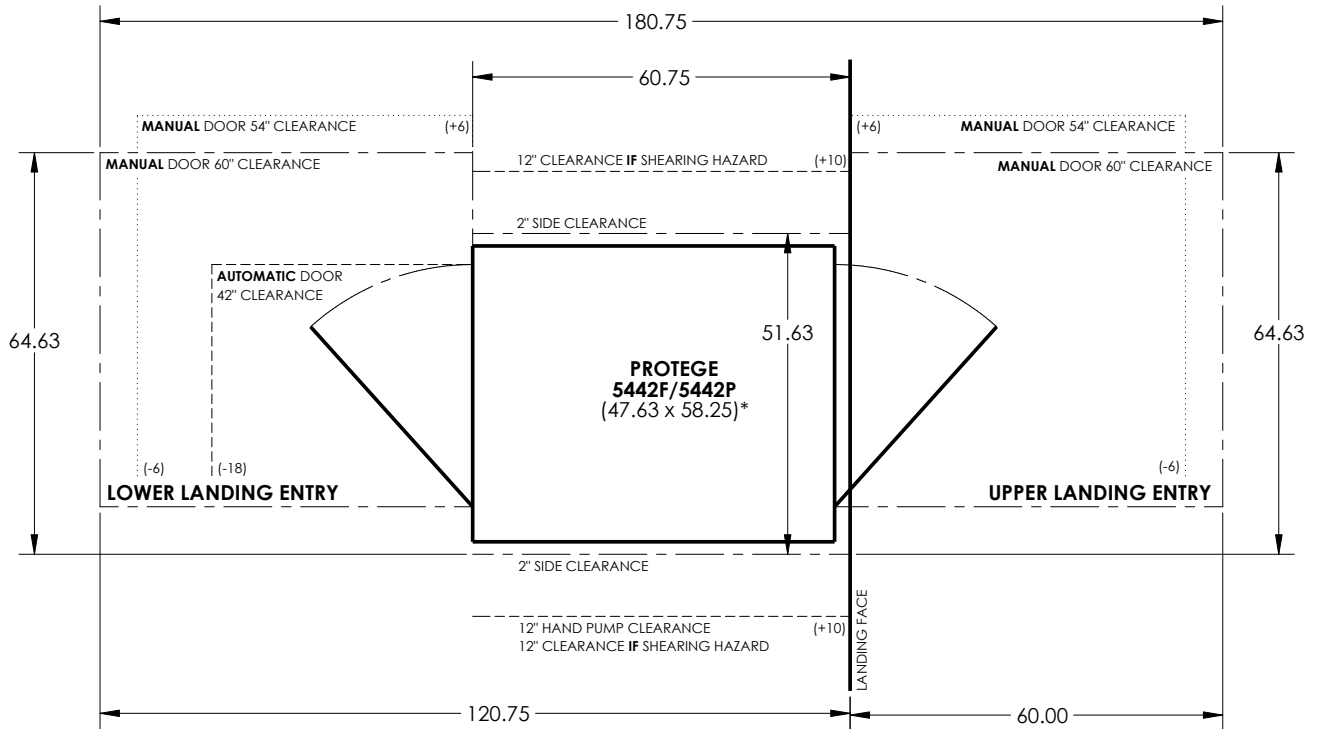


4. HAND PUMP CLEARANCE OPTIONAL. (MANUAL LOWERING PROVIDED BY FLV).

5. THE ONLY OBJECTS ALLOWED WITHIN 12" OF THE PLATFORM ARE SMOOTH, UNPERFORATED VERTICAL SURFACES WHICH DO NOT POSE SHEARING/CRUSHING HAZARDS. THIS APPLIES THROUGHOUT ENTIRE REQUIRED VERTICAL CLEARANCE (SEE NEXT NOTE).

6. REQUIRES OVERHEAD CLEARANCE OF 80" ABOVE PLATFORM FLOOR AT UPPER LANDING.

ZONE		LTR.	REVISIONS	DATE	APPROVAL
			DESCRIPTION		



*AUTOMATIC DOOR OPERATOR INCREASES OVERALL LIFT WIDTH (AND REQUIRED WIDTH CLEARANCE) BY 0.69"

				INTERPRET DIMENSIONS AND TOLERANCES IAW ANSI Y14.5M-1994		CONTRACT NO.		AGM CONTAINER CONTROLS, INC.	
				UNLESS OTHERWISE SPECIFIED DIMENSIONS ARE IN INCHES		DRAWN S. APPELBY		P.O. BOX 40020 - TUCSON, ARIZONA 85717-0020	
				TOLERANCES:		DATE 2-29-24		TITLE	
				DECIMALS .XX ± N/A		CHECK		REQUIRED CLEARANCES FOR	
				ANGLES ± N/A		APPROVED		PROTEGE 5442F/5442P	
				DO NOT SCALE DRAWING		By Philip Brobeck at 3:24 pm, Feb 29, 2024		REV. A	
				FINISH		MANUFACTURING		SIZE B	
				PART DASH NO.		CUSTOMER		FSCM NO. 08992	
				QTY. REQ'D PER ASSY.		SCALE 1/20		DWG. NO. PROTEGE 5442F CLEARANCES	
				APPLICATION		RELEASE DATE		SHEET 1 OF 1	
				SIMILAR TO		SHEET 1 OF 1			
				ACT. WT.					
				CALC. WT.					

4

3

2

1