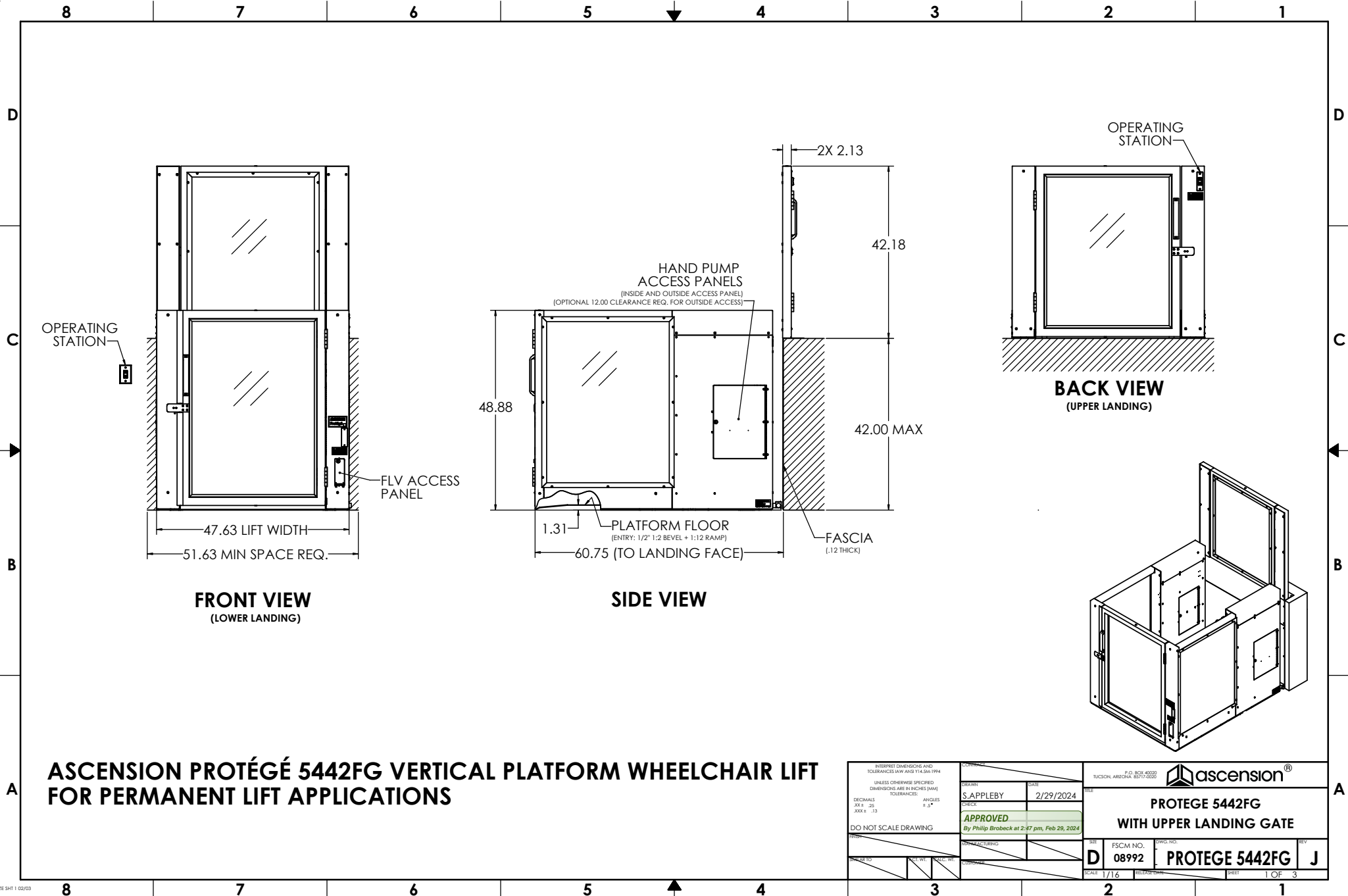


GENERIC DRAWING; CONTACT ASCENSION FOR PROJECT-SPECIFIC DRAWINGS

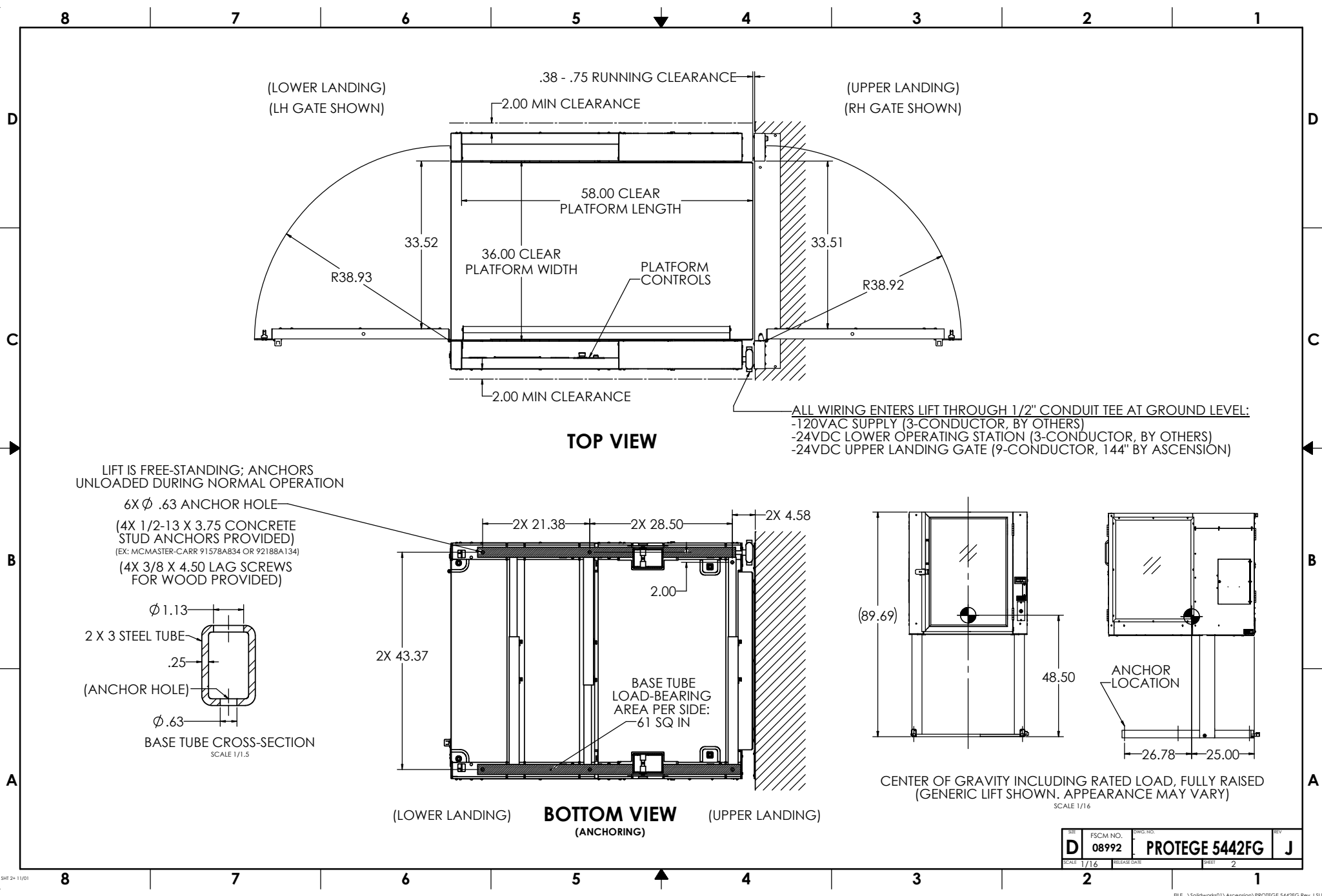
SEE OTHER PROTEGE LIFT MODELS (5442F, 5442FX, ETC.) FOR OTHER GATE/DOOR OPTIONS (PLATFORM/LANDING MOUNT)

SEE OPTIONS BROCHURE AND/OR SHEET 3 FOR VARIOUS CONFIGURATION OPTIONS



ASCENSION PROTÉGÉ 5442FG VERTICAL PLATFORM WHEELCHAIR LIFT FOR PERMANENT LIFT APPLICATIONS

<small>INTERPRET DIMENSIONS AND TOLERANCES IN ACCORDANCE WITH ASME Y14.5M-1994 UNLESS OTHERWISE SPECIFIED DIMENSIONS ARE IN INCHES (MM) TOLERANCES ANGLES ± .4°</small> <small>DECIMALS .001 .01 .03 .05 .10 .15 .20 .25 .30 .35 .40 .45 .50 .55 .60 .65 .70 .75 .80 .85 .90 .95 .0001 .0002 .0003 .0004 .0005 .0006 .0007 .0008 .0009 .0010 .0011 .0012 .0013 .0014 .0015 .0016 .0017 .0018 .0019 .0020 .0021 .0022 .0023 .0024 .0025 .0026 .0027 .0028 .0029 .0030 .0031 .0032 .0033 .0034 .0035 .0036 .0037 .0038 .0039 .0040 .0041 .0042 .0043 .0044 .0045 .0046 .0047 .0048 .0049 .0050 .0051 .0052 .0053 .0054 .0055 .0056 .0057 .0058 .0059 .0060 .0061 .0062 .0063 .0064 .0065 .0066 .0067 .0068 .0069 .0070 .0071 .0072 .0073 .0074 .0075 .0076 .0077 .0078 .0079 .0080 .0081 .0082 .0083 .0084 .0085 .0086 .0087 .0088 .0089 .0090 .0091 .0092 .0093 .0094 .0095 .0096 .0097 .0098 .0099 .0100</small>		<small>DATE</small> 2/29/2024	<small>SCALE</small> 1/16"	<small>RELEASE DATE</small> 2/29/2024	<small>P.O. BOX 40022 TUCSON, ARIZONA 85717-0022</small>
<small>DRAWN BY</small> S. APPLEBY	<small>CHECKED BY</small> [Signature]	PROTEGE 5442FG WITH UPPER LANDING GATE			
<small>DO NOT SCALE DRAWING</small>		<small>APPROVED BY</small> By Philip Brobeck at 2:47 pm, Feb 29, 2024	<small>FSCM NO.</small> D 08992	<small>DWG. NO.</small> J PROTEGE 5442FG	
<small>SCALE</small> 1/16"		<small>SHEET</small> 1 OF 3			



(LOWER LANDING)
(LH GATE SHOWN)

.38 - .75 RUNNING CLEARANCE

(UPPER LANDING)
(RH GATE SHOWN)

2.00 MIN CLEARANCE

58.00 CLEAR
PLATFORM LENGTH

36.00 CLEAR
PLATFORM WIDTH

PLATFORM
CONTROLS

33.52

33.51

R38.93

R38.92

2.00 MIN CLEARANCE

TOP VIEW

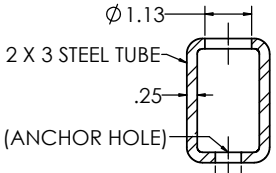
ALL WIRING ENTERS LIFT THROUGH 1/2" CONDUIT TEE AT GROUND LEVEL:
 -120VAC SUPPLY (3-CONDUCTOR, BY OTHERS)
 -24VDC LOWER OPERATING STATION (3-CONDUCTOR, BY OTHERS)
 -24VDC UPPER LANDING GATE (9-CONDUCTOR, 144" BY ASCENSION)

LIFT IS FREE-STANDING; ANCHORS
UNLOADED DURING NORMAL OPERATION

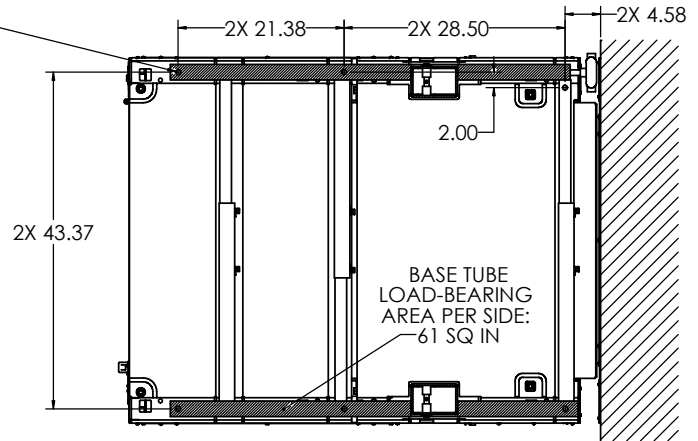
6X Ø .63 ANCHOR HOLE

(4X 1/2-13 X 3.75 CONCRETE
STUD ANCHORS PROVIDED)
(EX: MCMaster-CARR 91578A834 OR 92188A134)

(4X 3/8 X 4.50 LAG SCREWS
FOR WOOD PROVIDED)

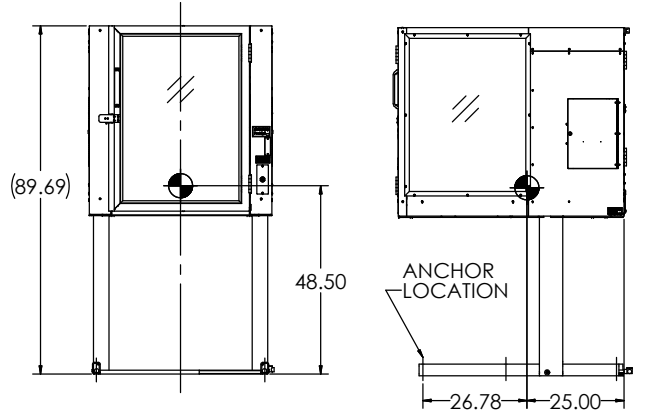


BASE TUBE CROSS-SECTION
SCALE 1/1.5



BASE TUBE
LOAD-BEARING
AREA PER SIDE:
61 SQ IN

(LOWER LANDING) **BOTTOM VIEW** (UPPER LANDING)
(ANCHORING)



CENTER OF GRAVITY INCLUDING RATED LOAD, FULLY RAISED
(GENERIC LIFT SHOWN. APPEARANCE MAY VARY)

SCALE 1/16

REV	DWG. NO.	FSCM NO.	REV
J	08992	PROTEGE 5442FG	J
SCALE	1/16	RELEASE DATE	SHEET 2

CONFIGURATION

TOTAL TRAVEL	UP TO 42.00"
ENTRY/EXIT CONFIG.	STRAIGHT THROUGH

LOWER LANDING	
DOOR TYPE	PLATFORM GATE
HANDING	RH/LH
DOOR OPERATOR	YES/NO
CALL STATION TYPE*	WALL/FRAME MOUNT
CALL STATION KEYED	YES/NO

UPPER LANDING	
DOOR TYPE	LANDING GATE
HANDING	RH/LH
DOOR OPERATOR	YES/NO
CALL STATION TYPE	WALL/FRAME MOUNT
CALL STATION KEYED	YES/NO

PLATFORM	
KEY SWITCH	YES/NO
HANDS-FREE PHONE	YES/NO
AUXILIARY LIGHTING	YES/NO
GRAB BAR	STANDARD
SLIP-RESISTANT FLOOR	STANDARD

COLOR	<input type="checkbox"/> BLACK <input type="checkbox"/> CUSTOM: _____
WINDOWS	PLEXIGLAS, CLEAR
OUTDOORS	YES/NO
PIT SWITCH	YES/NO
AUDIBLE ALARM	STANDARD
UNDER-PLATFORM SAFETY PAN	STANDARD
CALIFORNIA SAFETY PAN MODIFICATION	YES/NO
ACCESS PANELS (4X)	STANDARD
HAND PUMP	STANDARD
FRONT LOWERING VALVE (FLV)	STANDARD
EXTERNAL BATTERY BACKUP UNIT (UPS)	YES/NO

*WALL MOUNT (NOT FRAME MOUNT) REQUIRED IF TRAVEL EXCEEDS 30" OR LOWER DOOR OPERATOR OPTION SELECTED.

SPECIFICATIONS

DESCRIPTION	VERTICAL PLATFORM WHEELCHAIR LIFT
CODE COMPLIANCE	ASME A18.1, ASME A17.5, NFPA 70 (NEC), ANSI A117.1, ADASAD (ADAAG)
APPLIED VERSION	ASME A18.1-2020
MODEL	PROTEGE 5442FG
UNIT WEIGHT	850 LB
RATED LOAD	900 LB
RATED SPEED	5 FT/MIN
DUTY CYCLE	S2: 20 MIN SINGLE RUN S3: 13% INTERMITTENT RUN
PLATFORM SIZE	36" X 58"
POWER SUPPLY	24VDC, 1.75A (42W)
CONTROL SYS.	24VDC
MOTOR	115VAC, 1/2 HP

DRIVING MEANS	DIRECT-PLUNGER HYDRAULIC
PLUNGER (2X)	1.125" SOLID
CYL. I.D.	2.75" MASTER, 2.50" SLAVE
CYL. O.D.	3.13" MASTER, 2.88" SLAVE
STROKE (2X)	41.5"
SAFETIES TYPE	NONE (IAW ASME A18.1 §2.8.8)

WORKING PSI	400 PSI
RELIEF PSI	600 PSI (1.5 X WP)

DOOR LOCKS	IDEC H55L
------------	-----------

PROVISIONS BY OTHERS

GENERAL

HOISTWAY: FINISHED VERTICAL LANDING FACE (WITH FASCIA) MUST BE SQUARE AND PLUMB WITHIN 1/4" TO ENSURE PROPER LIFT OPERATION. WHERE ANY PERMANENT STRUCTURE IS WITHIN 12" OF EITHER SIDE OF THE LIFT, IT MUST BE DESIGNED AND BUILT IN ACCORDANCE WITH ASME A18.1 AND ALL APPLICABLE STATE AND LOCAL CODES.

FLOOR: FLOOR BENEATH UNIT AND DOOR SWINGS MUST BE FLAT AND LEVEL WITHIN 1/8" AND CAPABLE OF SUPPORTING UNIT WEIGHT WITH RATED LOAD. OUTDOORS, DRAINAGE SHALL NOT FLOW THROUGH OR INTO UNIT.

PIT/RAMP: UNLESS OTHERWISE SPECIFIED, DO NOT PROVIDE PIT OR RAMP. LIFT DESIGNED WITH LOW-PROFILE PLATFORM FLOOR FOR DIRECT ENTRY.

OVERHEAD CLEARANCE: MUST COMPLY WITH ALL APPLICABLE CODES.

CONSTRUCTION COORDINATION: OWNER/AGENT RESPONSIBLE FOR ALL MASONRY, CARPENTRY, DRYWALL, PATCHING, AND FINISHING WORK NEEDED PRIOR TO AND FOLLOWING LIFT INSTALLATION.

ELECTRICAL

GENERAL: ALL WIRING SHALL COMPLY WITH NFPA 70 (NEC).

POWER: 120VAC, 60HZ, 13A, 1PH CIRCUIT WITH DISCONNECT (SEE BELOW).

MAIN DISCONNECT SWITCH: OTHERS SHALL PROVIDE LOCKABLE FUSED DISCONNECT SWITCH IAW NFPA 70 (SECTION 620.51).

LIGHTING: 54 LX MIN AT PLATFORM AND LANDINGS.

EMERGENCY LIGHTING: 2.2 LX MIN AT PLATFORM AND CONTROLS (4 HOURS MIN) (WHERE NOT PROVIDED BY "AUXILIARY LIGHTING" OPTION).

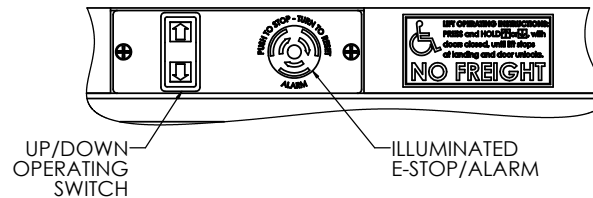
PHONE: STANDARD PHONE CABLE WITH RJ11 RECEPTACLE CONNECTOR REQUIRED FOR OPTIONAL (ANALOG) HANDS-FREE PHONE, WHERE PROVIDED.

INSTALLATION FEATURES

TRANSPORTABILITY: DISPOSABLE CASTERS INCLUDED TO WHEEL LIFT TO PERMANENT INSTALL LOCATION.

COMPRESSIBILITY: LIFT COMPRESSIBLE TO 33" TO FIT THROUGH DOORWAYS.

PLATFORM CONTROLS
SCALE 1:1.5



REV	FSCM NO.	DWG. NO.	REV
D	08992	PROTEGE 5442FG	J
SCALE 1/16	RELEASED	SHEET 3	

4

3

2

1

NOTES UNLESS OTHERWISE SPECIFIED:

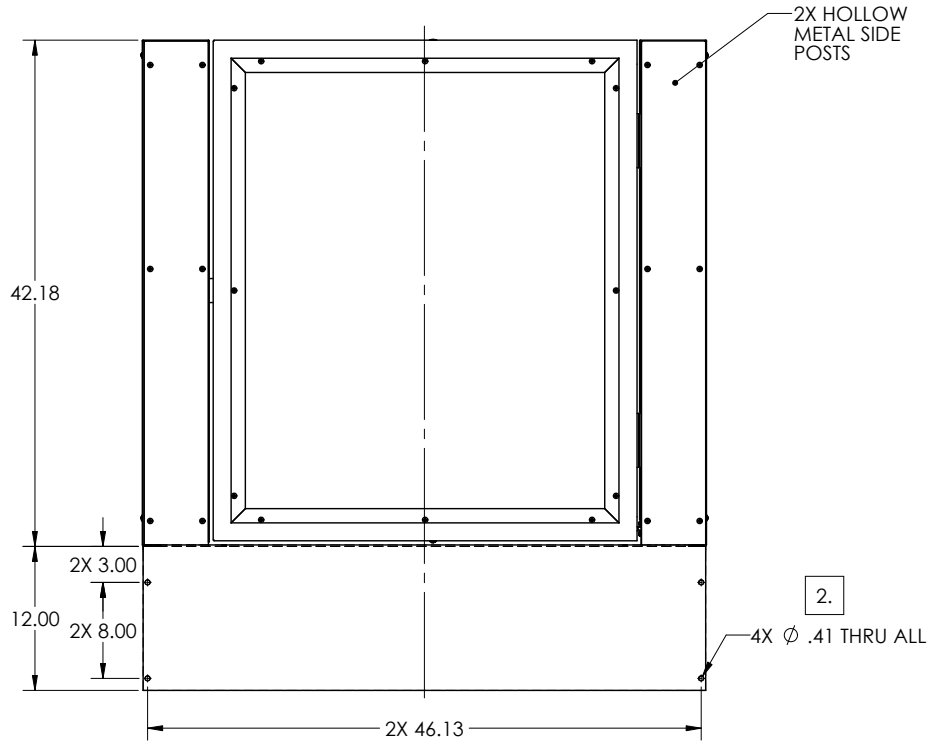
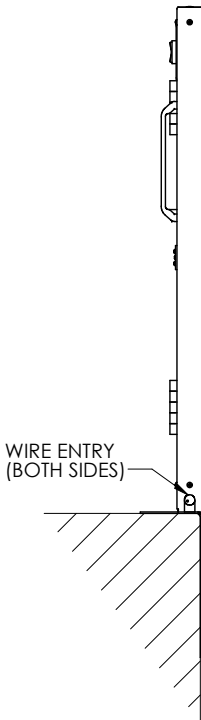
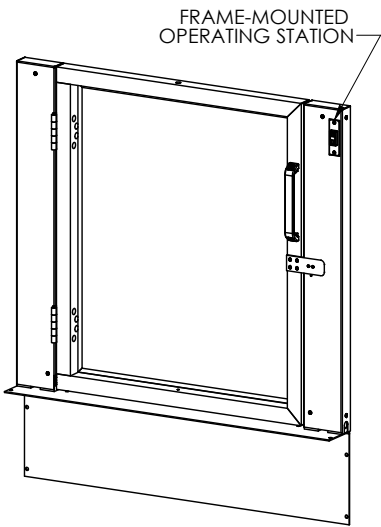
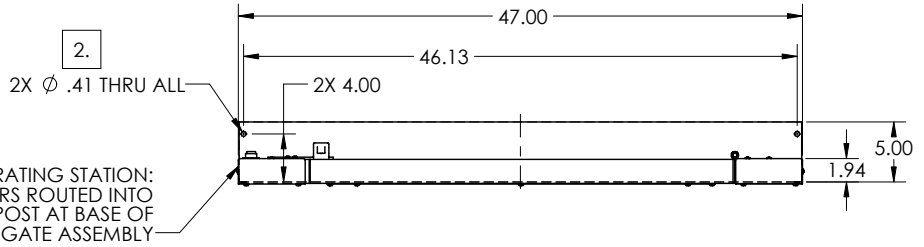
1. DESCRIPTION: UPPER LANDING GATE (ULG) WITH INTERLOCK.
("RH" HANDING GENERICALLY SHOWN; MAY NOT BE SAME AS SPECIFIED ON LIFT; MIRROR FOR "LH" HANDING).

2. GATE FRAME MUST BE ANCHORED TO LANDING SILL USING ANCHOR HOLES SHOWN. ANCHORS TO BE PROVIDED BY OTHERS.

3. GATE FRAME MUST BE ATTACHED TO NEARBY WALLS/RAILINGS TO ENSURE FULL STRENGTH AND RIGIDITY. FASTENING MEANS TO BE PROVIDED BY OTHERS.

4. ASSEMBLY INCLUDES:
-FRAME-MOUNTED OPERATING STATION

REVISIONS				
ZONE	LTR.	DESCRIPTION	DATE	APPROVED



"RH" HANDING GENERICALLY SHOWN
(MAY NOT BE SAME AS SPECIFIED ON LIFT)
SCALE: 1/12

				INTERPRET DIMENSIONS AND TOLERANCES IAW ANSI Y14.5M-1994		CONTRACT	
				UNLESS OTHERWISE SPECIFIED DIMENSIONS ARE IN INCHES		DRAWN	
				TOLERANCES:		DATE	
				DECIMALS .XX ± .13		S. APPLEBY	
				ANGLES ± .5°		5-14-20	
				DO NOT SCALE DRAWING		CHECK	
				FINISH		APPROVED	
				SIMILAR TO		By Philip Brobeck at 4:46 pm, May 14, 2020	
				ACT. WT.		MANUFACTURING	
				CALC. WT.		CUSTOMER	
PART DASH NO.	NEXT QTY. REQ'D PER ASSY.	FINAL	NEXT ASSY.	USED ON	APPLICATION	SCALE	1/8

CGM CONTAINER CONTROLS, INC. P.O. BOX 40020 - TUCSON, ARIZONA 85717-0020			
TITLE PROTEGE UPPER LANDING GATE			
SIZE	FSCM NO.	DWG. NO.	REV
C	08992	113235	-
RELEASE DATE	SHEET	1 OF 1	

4

3

2

1

4

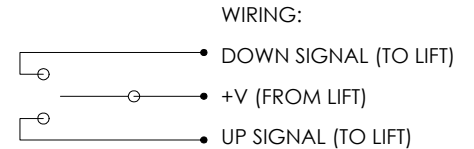
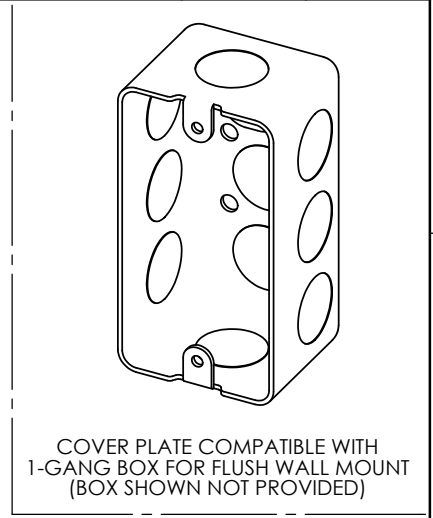
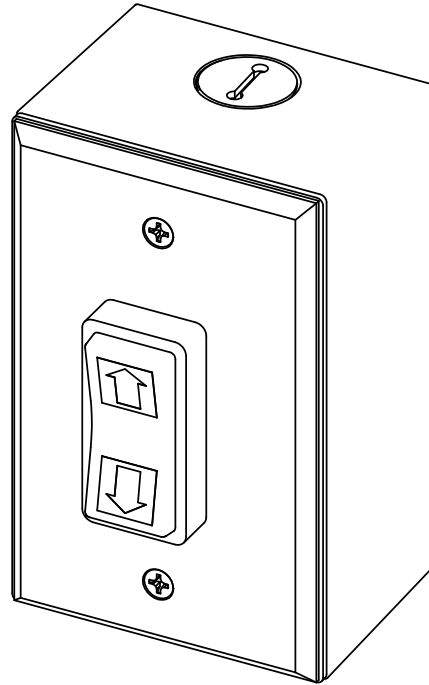
3

2

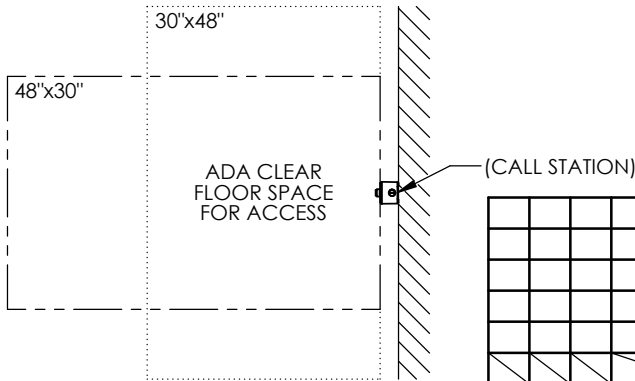
1

NOTES UNLESS OTHERWISE SPECIFIED:

- 1. DESCRIPTION: REMOTELY LOCATED CALL STATION FOR ASCENSION VERTICAL PLATFORM WHEELCHAIR LIFT.
 - 2. CHARACTERISTICS:
 - 2.1 COVER PLATE: STANDARD SIZE WALL PLATE (4.5" X 2.75"), BRUSHED STAINLESS STEEL.
 - 2.2 SWITCH: 3 POSITION ROCKER, REQUIRES CONSTANT PRESSURE TO ACTUATE.
 - 2.3 MOUNTING BOX: SURFACE MOUNT SINGLE GANG HANDY BOX, 2.00" DEEP.
 - 2.4 WEATHER RATING: SUITABLE FOR OUTDOOR USE.
 - 3. ADA REQUIREMENTS:
 - 3.1 MOUNT BETWEEN 15" AND 48" ABOVE FLOOR. IAW ADAAG 308.2 OR 308.3
 - 3.2 PROVIDE 30"x48" OR 48"x30" CLEAR FLOOR SPACE FOR ACCESSING CALL STATION. IAW ADAAG 309.2 & 305
- NOTE: CLEAR FLOOR SPACE MUST BE OUTSIDE SWING OF AUTOMATIC DOORS AND GATES.



(3) 1/4" QUICK-DISCONNECT TERMINALS (PROVIDED)



PART DASH NO.				QTY. REQ'D PER ASSY.	NEXT	FINAL	NEXT ASSY.	USED ON	APPLICATION	SIMILAR TO	ACT. WT.	CALC. WT.	
FINISH				DO NOT SCALE DRAWING		UNLESS OTHERWISE SPECIFIED DIMENSIONS ARE IN INCHES		TOLERANCES:		DECIMALS .XX ± N/A .XXX ± N/A		ANGLES ± N/A	
CONTRACT NO.				DRAWN S. APPELBY		DATE 9-16-22		CHECK		APPROVED		By Philip Brobeck at 12:47 pm, Oct 04, 2022	
MANUFACTURING				CUSTOMER		INTERPRET DIMENSIONS AND TOLERANCES IAW ANSI Y14.5M-1994		UNLESS OTHERWISE SPECIFIED DIMENSIONS ARE IN INCHES		TOLERANCES:		DECIMALS .XX ± N/A .XXX ± N/A	

AGM CONTAINER CONTROLS, INC.			
P.O. BOX 40020 - TUCSON, ARIZONA 85717-0020			
TITLE OPERATING STATION (CALL BOX) WALL MOUNTED			
SIZE B	FSCM NO. 08992	DWG. NO. 115712	REV. D
SCALE 1/1	RELEASE DATE	SHEET 1 OF 1	

4

3

2

1

4

3

2

1

NOTES UNLESS OTHERWISE SPECIFIED:

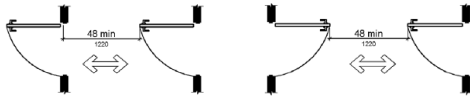
1. THIS DOCUMENT IS INTENDED TO ASSIST IN SITE PLANNING TO ENSURE REQUIRED CLEARANCES FOR LIFT AND REQUIRED ADA ENTRY CLEARANCES ARE PROVIDED.

2. ALL CLEARANCES SHOWN ARE THE **MINIMUM** CLEARANCES REQUIRED. OVERALL DIMENSIONS PROVIDED FOR MOST COMMONLY USED CONFIGURATION.

NOTE: FOR NON-DIMENSIONED CLEARANCES, THE DIFFERENCE IS PROVIDED IN PARENTHESIS. EX: (+6), (-18), ETC.

3. ONLY ONE OF THE THREE ADA-REQUIRED ENTRY CLEARANCES SHOWN AT EACH LANDING MUST BE PROVIDED. MIRROR ENTRY CLEARANCE FOR OPPOSITE DOOR SWING. ENTRY CLEARANCE ALLOWED TO BE OFFSET UP TO 8" MAXIMUM FROM THE FACE OF THE DOOR (FOR WHEN DOOR IS RECESSED).

NOTE: ADDITIONAL CLEARANCE REQUIRED FOR DOORS IN SERIES; CLEARANCE OF 48" REQUIRED BETWEEN OPEN DOORS (SO EACH DOOR MAY BE NAVIGATED INDIVIDUALLY).

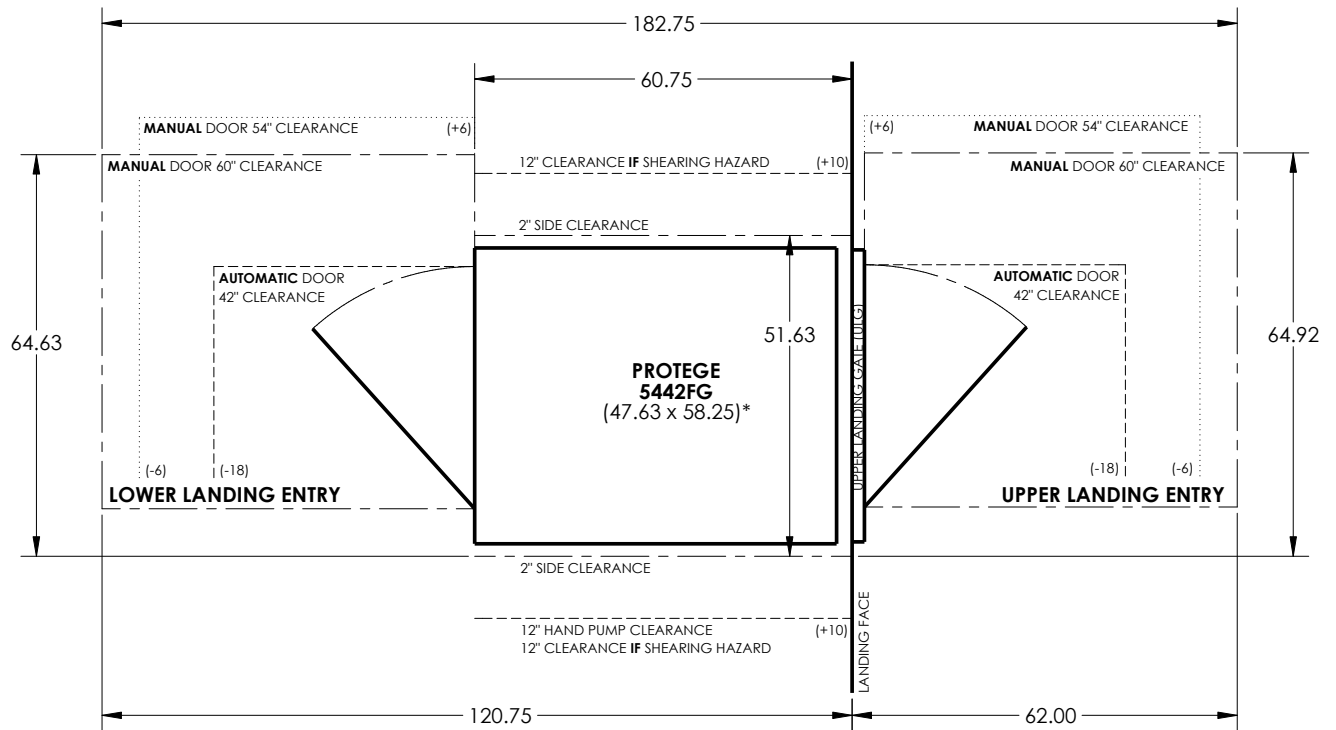


4. HAND PUMP CLEARANCE OPTIONAL. (MANUAL LOWERING PROVIDED BY FLV).

5. THE ONLY OBJECTS ALLOWED WITHIN 12" OF THE PLATFORM ARE SMOOTH, UNPERFORATED VERTICAL SURFACES WHICH DO NOT POSE SHEARING/CRUSHING HAZARDS. THIS APPLIES THROUGHOUT ENTIRE REQUIRED VERTICAL CLEARANCE (SEE NEXT NOTE).

6. REQUIRES OVERHEAD CLEARANCE OF 80" ABOVE PLATFORM FLOOR AT UPPER LANDING.

REVISIONS				
ZONE	LTR.	DESCRIPTION	DATE	APPROVAL



*AUTOMATIC DOOR OPERATORS INCREASE OVERALL LIFT/ULG WIDTH (AND REQUIRED WIDTH CLEARANCE) BY 0.69"

INTERPRET DIMENSIONS AND TOLERANCES IAW ANSI Y14.5M-1994 UNLESS OTHERWISE SPECIFIED DIMENSIONS ARE IN INCHES TOLERANCES: DECIMALS .XX ± N/A .XXX ± N/A ANGLES ± N/A				CONTRACT NO. DRAWN S. APPLEBY DATE 2-29-24 CHECK APPROVED By Philip Brobeck at 3:24 pm, Feb 29, 2024		AGM CONTAINER CONTROLS, INC. P.O. BOX 40020 - TUCSON, ARIZONA 85717-0020	
DO NOT SCALE DRAWING				TITLE REQUIRED CLEARANCES FOR PROTEGE 5442FG			
PART DASH NO.		NEXT FINAL		NEXT ASSY.		USED ON	
QTY. REQ'D PER ASSY.		APPLICATION		SIMILAR TO		ACT. WT. CALC. WT.	
MANUFACTURING				CUSTOMER		SIZE B FSCM NO. 08992 DWG. NO. PROTEGE 5442FG CLEARANCES REV. A	
SCALE 1/20				RELEASE DATE		SHEET 1 OF 1	

4

3

2

1