

(LOWER LANDING)  
(LH GATE SHOWN)

(UPPER LANDING)  
(RH GATE SHOWN)

2.00 MIN CLEARANCE

5.56

FOLDING DOCK PLATE  
(DEPLOYS/RETRACTS AS GATE OPENS/CLOSES)

54.00 CLEAR  
PLATFORM LENGTH

33.52

36.00 CLEAR  
PLATFORM WIDTH

PLATFORM  
CONTROLS

32.05

R38.93

R38.89

2.00 MIN CLEARANCE

ALL WIRING ENTERS LIFT THROUGH 1/2" CONDUIT TEE AT GROUND LEVEL:  
 -120VAC SUPPLY (3-CONDUCTOR, BY OTHERS)  
 -24VDC LOWER OPERATING STATION (3-CONDUCTOR, BY OTHERS)  
 -24VDC UPPER OPERATING STATION (3-CONDUCTOR, BY OTHERS)

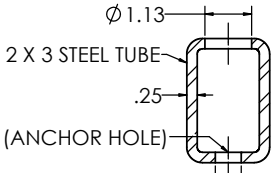
**TOP VIEW**

LIFT IS FREE-STANDING; ANCHORS  
UNLOADED DURING NORMAL OPERATION

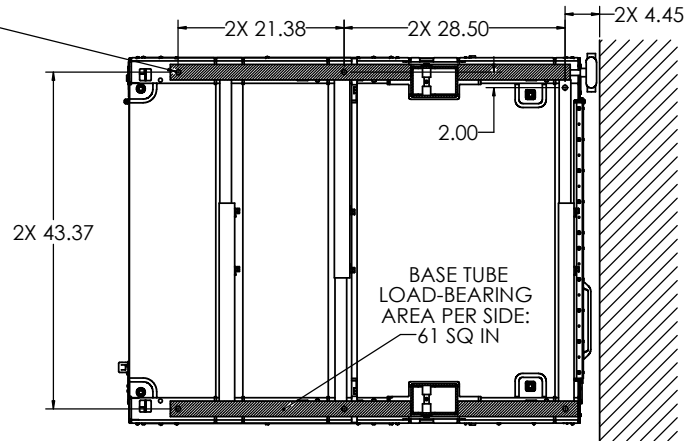
6X Ø .63 ANCHOR HOLE

(4X 1/2-13 X 3.75 CONCRETE  
STUD ANCHORS PROVIDED)  
(EX: MCMaster-CARR 91578A834 OR 92188A134)

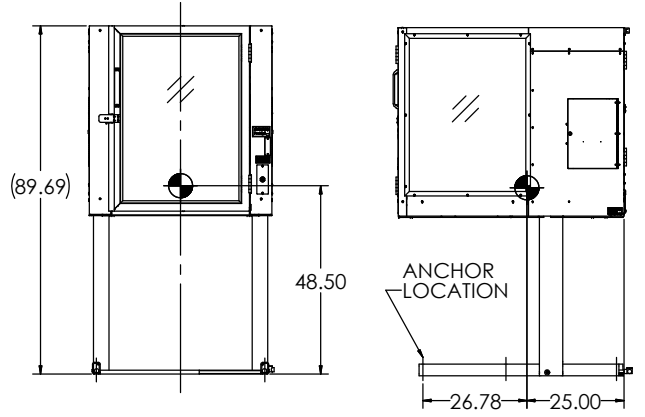
(4X 3/8 X 4.50 LAG SCREWS  
FOR WOOD PROVIDED)



BASE TUBE CROSS-SECTION  
SCALE 1/1.5



(LOWER LANDING) **BOTTOM VIEW** (ANCHORING) (UPPER LANDING)



CENTER OF GRAVITY INCLUDING RATED LOAD, FULLY RAISED  
(GENERIC LIFT SHOWN. APPEARANCE MAY VARY)

SCALE 1/16

D	FSCM NO.	DWG. NO.	G
	08992	DATECODE-01-5442F	
SCALE	RELEASE DATE	SHEET	
1/16		2	

### CONFIGURATION

TOTAL TRAVEL	UP TO 42.00"
ENTRY/EXIT CONFIG.	STRAIGHT THROUGH

LOWER LANDING	
DOOR TYPE	PLATFORM GATE
HANDING	RH/LH
DOOR OPERATOR	YES/NO
CALL STATION TYPE*	WALL/FRAME MOUNT
CALL STATION KEYED	YES/NO

UPPER LANDING	
DOOR TYPE	PLATFORM GATE
HANDING	RH/LH
DOOR OPERATOR	N/A
CALL STATION TYPE**	WALL/FRAME MOUNT
CALL STATION KEYED	YES/NO

PLATFORM	
KEY SWITCH	YES/NO
HANDS-FREE PHONE	YES/NO
AUXILIARY LIGHTING	YES/NO
GRAB BAR	STANDARD
SLIP-RESISTANT FLOOR	STANDARD

COLOR	<input type="checkbox"/> BLACK <input type="checkbox"/> CUSTOM: _____
WINDOWS	PLEXIGLAS, CLEAR
OUTDOORS	YES/NO
PIT SWITCH	YES/NO
AUDIBLE ALARM	STANDARD
UNDER-PLATFORM SAFETY PAN	STANDARD
CALIFORNIA SAFETY PAN MODIFICATION	YES/NO
ACCESS PANELS (4X)	STANDARD
HAND PUMP	STANDARD
FRONT LOWERING VALVE (FLV)	STANDARD
EXTERNAL BATTERY BACKUP UNIT (UPS)	YES/NO

\*WALL MOUNT (NOT FRAME MOUNT) REQUIRED IF TRAVEL EXCEEDS 30" OR LOWER DOOR OPERATOR OPTION SELECTED.

\*\*WALL MOUNT (NOT FRAME MOUNT) REQUIRED IF TRAVEL EXCEEDS 29"

### SPECIFICATIONS

DESCRIPTION	VERTICAL PLATFORM WHEELCHAIR LIFT
CODE COMPLIANCE	ASME A18.1, ASME A17.5, NFPA 70 (NEC), ANSI A117.1, ADASAD (ADAAG)
APPLIED VERSION	ASME A18.1-2020
MODEL	PROTEGE 5442F
UNIT WEIGHT	850 LB
RATED LOAD	900 LB
RATED SPEED	5 FT/MIN
DUTY CYCLE	S2: 20 MIN SINGLE RUN S3: 13% INTERMITTENT RUN
PLATFORM SIZE	36" X 58"
POWER SUPPLY	24VDC, 1.75A (42W)
CONTROL SYS.	24VDC
MOTOR	115VAC, 1/2 HP

DRIVING MEANS	DIRECT-PLUNGER HYDRAULIC
PLUNGER (2X)	1.125" SOLID
CYL. I.D.	2.75" MASTER, 2.50" SLAVE
CYL. O.D.	3.13" MASTER, 2.88" SLAVE
STROKE (2X)	41.5"
SAFETIES TYPE	NONE (IAW ASME A18.1 §2.8.8)

WORKING PSI	400 PSI
RELIEF PSI	600 PSI (1.5 X WP)

DOOR LOCK	IDEC HSSL
-----------	-----------

### PROVISIONS BY OTHERS

#### GENERAL

**HOISTWAY:** FINISHED VERTICAL LANDING FACE MUST BE SQUARE AND PLUMB WITHIN 1/4" TO ENSURE PROPER LIFT OPERATION. WHERE ANY PERMANENT STRUCTURE IS WITHIN 12" OF EITHER SIDE OF THE LIFT, IT MUST BE DESIGNED AND BUILT IN ACCORDANCE WITH ASME A18.1 AND ALL APPLICABLE STATE AND LOCAL CODES.

**FLOOR:** FLOOR BENEATH UNIT AND DOOR SWINGS MUST BE FLAT AND LEVEL WITHIN 1/8" AND CAPABLE OF SUPPORTING UNIT WEIGHT WITH RATED LOAD. OUTDOORS, DRAINAGE SHALL NOT FLOW THROUGH OR INTO UNIT.

**PIT/RAMP:** UNLESS OTHERWISE SPECIFIED, DO NOT PROVIDE PIT OR RAMP. LIFT DESIGNED WITH LOW-PROFILE PLATFORM FLOOR FOR DIRECT ENTRY.

**OVERHEAD CLEARANCE:** MUST COMPLY WITH ALL APPLICABLE CODES.

**CONSTRUCTION COORDINATION:** OWNER/AGENT RESPONSIBLE FOR ALL MASONRY, CARPENTRY, DRYWALL, PATCHING, AND FINISHING WORK NEEDED PRIOR TO AND FOLLOWING LIFT INSTALLATION.

#### ELECTRICAL

**GENERAL:** ALL WIRING SHALL COMPLY WITH NFPA 70 (NEC).

**POWER:** 120VAC, 60HZ, 13A, 1PH CIRCUIT WITH DISCONNECT (SEE BELOW).

**MAIN DISCONNECT SWITCH:** OTHERS SHALL PROVIDE LOCKABLE FUSED DISCONNECT SWITCH IAW NFPA 70 (SECTION 620.51).

**LIGHTING:** 54 LX MIN AT PLATFORM AND LANDINGS.

**EMERGENCY LIGHTING:** 2.2 LX MIN AT PLATFORM AND CONTROLS (4 HOURS MIN) (WHERE NOT PROVIDED BY "AUXILIARY LIGHTING" OPTION).

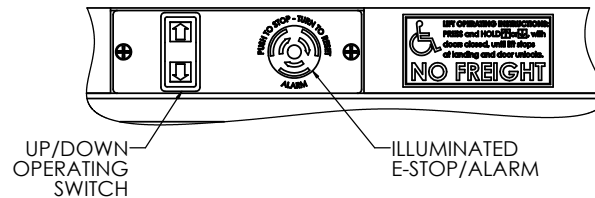
**PHONE:** STANDARD PHONE CABLE WITH RJ11 RECEPTACLE CONNECTOR REQUIRED FOR OPTIONAL (ANALOG) HANDS-FREE PHONE, WHERE PROVIDED.

### INSTALLATION FEATURES

**TRANSPORTABILITY:** DISPOSABLE CASTERS INCLUDED TO WHEEL LIFT TO PERMANENT INSTALL LOCATION.

**COMPRESSIBILITY:** LIFT COMPRESSIBLE TO 33" TO FIT THROUGH DOORWAYS.

PLATFORM CONTROLS  
SCALE 1:1.5



REV	FSCM NO.	DWG. NO.	REV
D	08992	DATECODE-01-5442F	G
SCALE 1/16	RELEASE DATE	PAGE 3	

4

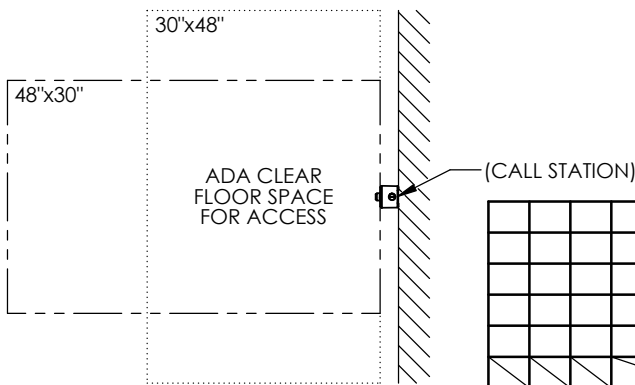
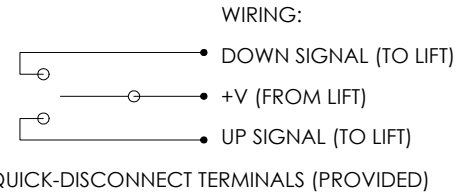
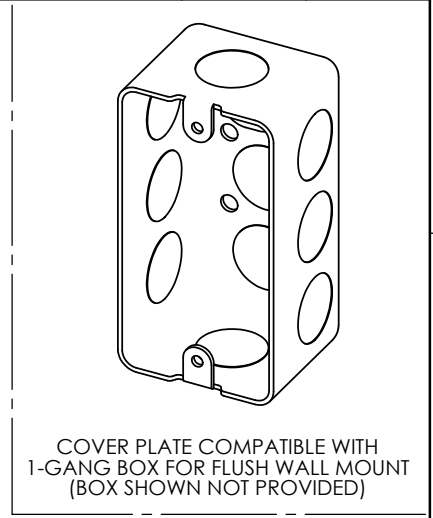
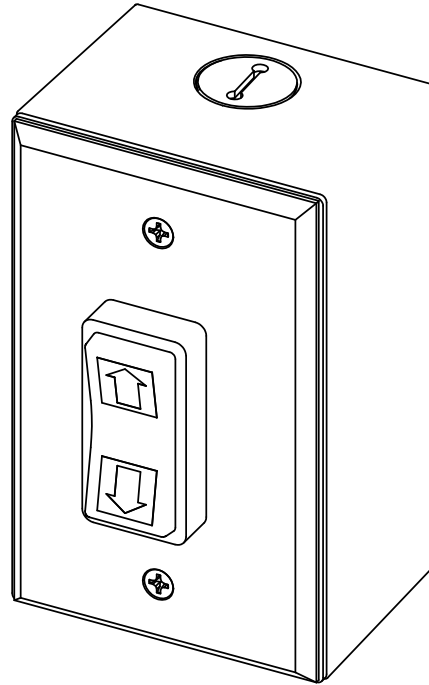
3

2

1

NOTES UNLESS OTHERWISE SPECIFIED:

- 1. DESCRIPTION: REMOTELY LOCATED CALL STATION FOR ASCENSION VERTICAL PLATFORM WHEELCHAIR LIFT.
  - 2. CHARACTERISTICS:
    - 2.1 COVER PLATE: STANDARD SIZE WALL PLATE (4.5" X 2.75"), BRUSHED STAINLESS STEEL.
    - 2.2 SWITCH: 3 POSITION ROCKER, REQUIRES CONSTANT PRESSURE TO ACTUATE.
    - 2.3 MOUNTING BOX: SURFACE MOUNT SINGLE GANG HANDY BOX, 2.00" DEEP.
    - 2.4 WEATHER RATING: SUITABLE FOR OUTDOOR USE.
  - 3. ADA REQUIREMENTS:
    - 3.1 MOUNT BETWEEN 15" AND 48" ABOVE FLOOR. IAW ADAAG 308.2 OR 308.3
    - 3.2 PROVIDE 30"x48" OR 48"x30" CLEAR FLOOR SPACE FOR ACCESSING CALL STATION. IAW ADAAG 309.2 & 305
- NOTE: CLEAR FLOOR SPACE MUST BE OUTSIDE SWING OF AUTOMATIC DOORS AND GATES.



PART DASH NO.				QTY. REQ'D PER ASSY.				APPLICATION				USED ON				FINISH				DO NOT SCALE DRAWING			
NEXT				FINAL				NEXT ASSY.				SIMILAR TO				ACT. WT.				CALC. WT.			
CONTRACT NO.				DRAWN				DATE				CHECK				MANUFACTURING				CUSTOMER			
S. APPLEYBY				9-16-22				APPROVED				By Philip Brobeck at 12:47 pm, Oct 04, 2022											

<b>AGM CONTAINER CONTROLS, INC.</b> P.O. BOX 40020 - TUCSON, ARIZONA 85717-0020															
<b>OPERATING STATION (CALL BOX) WALL MOUNTED</b>															
SIZE		FSCM NO.		DWG. NO.		REV.		SCALE		RELEASE DATE		SHEET		1 OF 1	
B		08992		115712		D		1/1							

4

3

2

1

4

3

2

1

NOTES UNLESS OTHERWISE SPECIFIED:

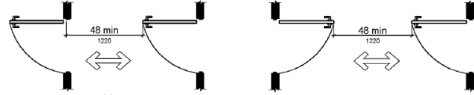
1. THIS DOCUMENT IS INTENDED TO ASSIST IN SITE PLANNING TO ENSURE REQUIRED CLEARANCES FOR LIFT AND REQUIRED ADA ENTRY CLEARANCES ARE PROVIDED.

2. ALL CLEARANCES SHOWN ARE THE **MINIMUM** CLEARANCES REQUIRED. OVERALL DIMENSIONS PROVIDED FOR MOST COMMONLY USED CONFIGURATION.

NOTE: FOR NON-DIMENSIONED CLEARANCES, THE DIFFERENCE IS PROVIDED IN PARENTHESIS. EX: (+6), (-18), ETC.

3. ONLY ONE OF THE ADA-REQUIRED ENTRY CLEARANCES SHOWN AT EACH LANDING MUST BE PROVIDED. MIRROR ENTRY CLEARANCE FOR OPPOSITE DOOR SWING. ENTRY CLEARANCE ALLOWED TO BE OFFSET UP TO 8" MAXIMUM FROM THE FACE OF THE DOOR (FOR WHEN DOOR IS RECESSED).

NOTE: ADDITIONAL CLEARANCE REQUIRED FOR DOORS IN SERIES: CLEARANCE OF 48" REQUIRED BETWEEN OPEN DOORS (SO EACH DOOR MAY BE NAVIGATED INDIVIDUALLY).

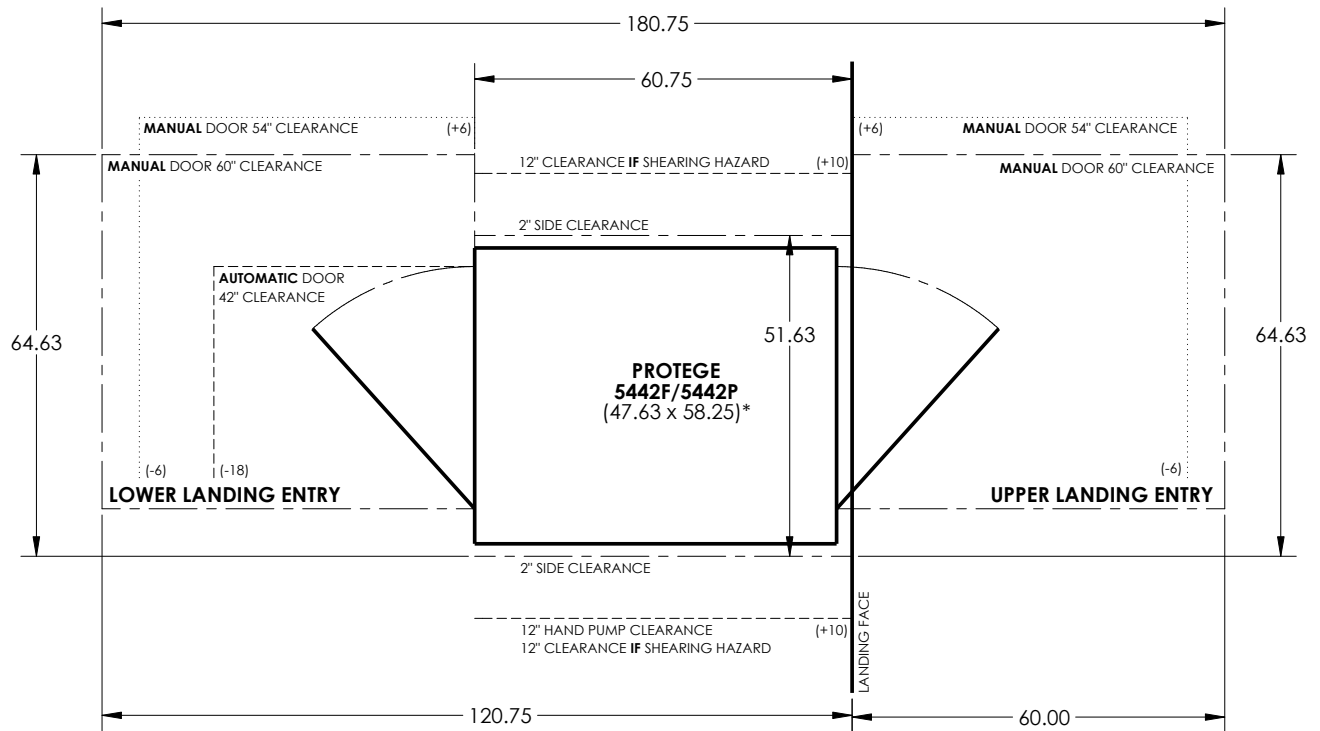


4. HAND PUMP CLEARANCE OPTIONAL. (MANUAL LOWERING PROVIDED BY FLV).

5. THE ONLY OBJECTS ALLOWED WITHIN 12" OF THE PLATFORM ARE SMOOTH, UNPERFORATED VERTICAL SURFACES WHICH DO NOT POSE SHEARING/CRUSHING HAZARDS. THIS APPLIES THROUGHOUT ENTIRE REQUIRED VERTICAL CLEARANCE (SEE NEXT NOTE).

6. REQUIRES OVERHEAD CLEARANCE OF 80" ABOVE PLATFORM FLOOR AT UPPER LANDING.

ZONE		LTR.	REVISIONS	DATE	APPROVAL
			DESCRIPTION		



\*AUTOMATIC DOOR OPERATOR INCREASES OVERALL LIFT WIDTH (AND REQUIRED WIDTH CLEARANCE) BY 0.69"

				INTERPRET DIMENSIONS AND TOLERANCES IAW ANSI Y14.5M-1994		CONTRACT NO.		AGM CONTAINER CONTROLS, INC.	
				UNLESS OTHERWISE SPECIFIED DIMENSIONS ARE IN INCHES		DRAWN S. APPELBY		P.O. BOX 40020 - TUCSON, ARIZONA 85717-0020	
				TOLERANCES:		DATE 2-29-24		TITLE	
				DECIMALS .XX ± N/A		CHECK		REQUIRED CLEARANCES FOR PROTEGE 5442F/5442P	
				ANGLES ± N/A		APPROVED		REV. A	
				DO NOT SCALE DRAWING		By Philip Brobeck at 3:24 pm, Feb 29, 2024		SIZE B	
				FINISH		MANUFACTURING		FSCM NO. 08992	
				PART DASH NO.		CUSTOMER		DWG. NO. PROTEGE 5442F CLEARANCES	
				QTY. REQ'D PER ASSY.		SCALE 1/20		RELEASE DATE	
				APPLICATION		SHEET 1 OF 1			

4

3

2

1