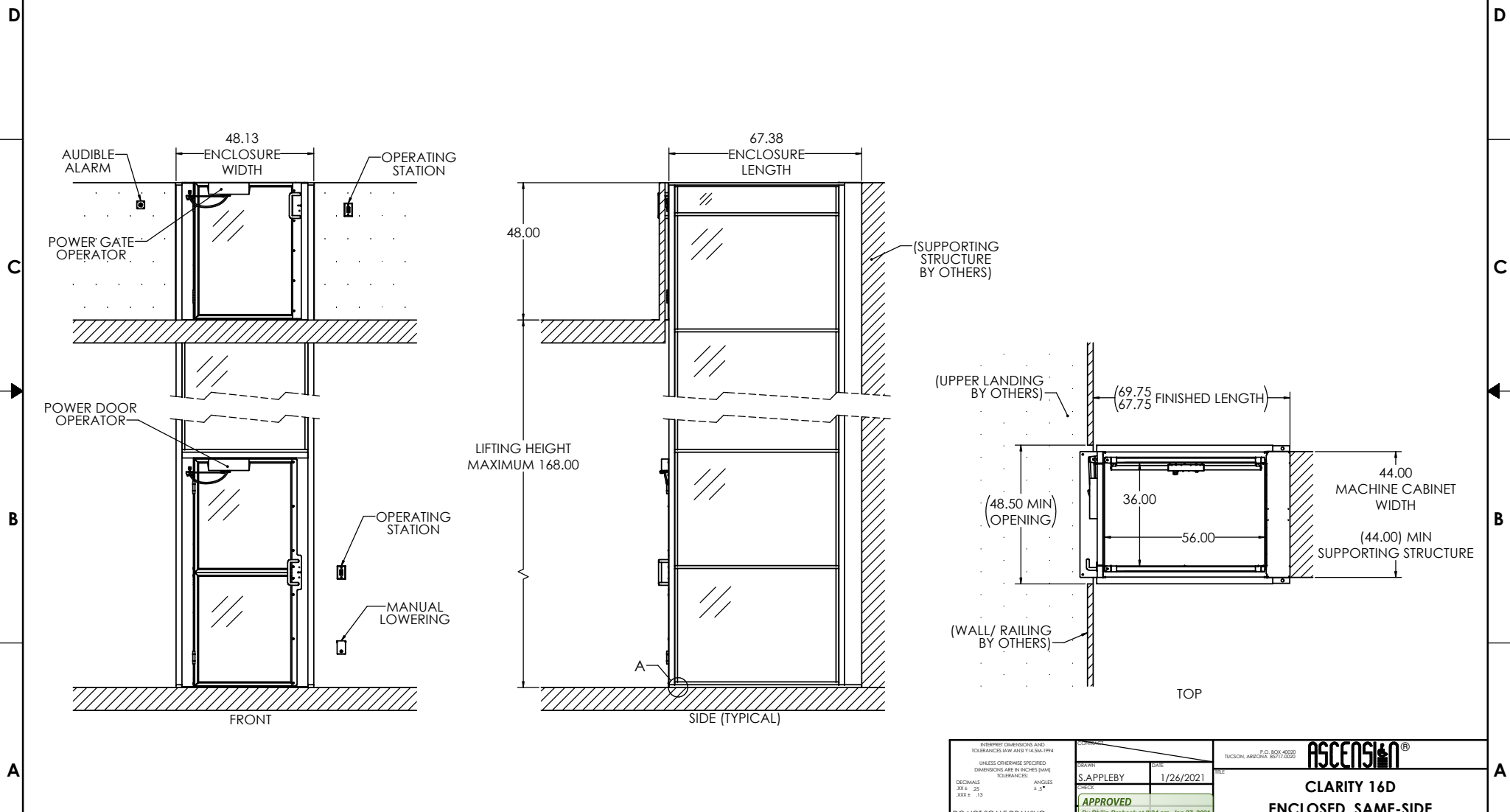


GENERIC DRAWING; CONTACT ASCENSION FOR PROJECT-SPECIFIC DRAWINGS

SEE OTHER CLARITY LIFT MODELS (16C, 16E, 16S, ETC.) FOR OTHER ENTRY/EXIT AND ENCLOSED/SHAFTWAY OPTIONS
 SEE OPTIONS BROCHURE AND/OR SHEET 3 FOR VARIOUS CONFIGURATION OPTIONS



ASCENSION CLARITY 16D VERTICAL PLATFORM WHEELCHAIR LIFT

<small>INTERPRET DIMENSIONS AND TOLERANCES IN ACCORDANCE WITH ASME Y14.5M-1994 UNLESS OTHERWISE SPECIFIED DIMENSIONS ARE IN INCHES (MM) TOLERANCES ANGLES DECIMALS FRACTIONS XXX.X .13 .0004 .13</small>	DRAWN: S. APPELBY CHECK: [APPROVED] By Phillip Brobeck at 8:24 am, Jan 27, 2021	DATE: 1/26/2021	P.O. BOX 40020 TUCSON, ARIZONA 85717-0020	ASCENSION®
	DO NOT SCALE DRAWING			TITLE: CLARITY 16D ENCLOSED, SAME-SIDE
SCALE: 1/16	FSCM NO.: 08992	DWG. NO.: CLARITY 16D	SHEET: 1 OF 4	REV: A

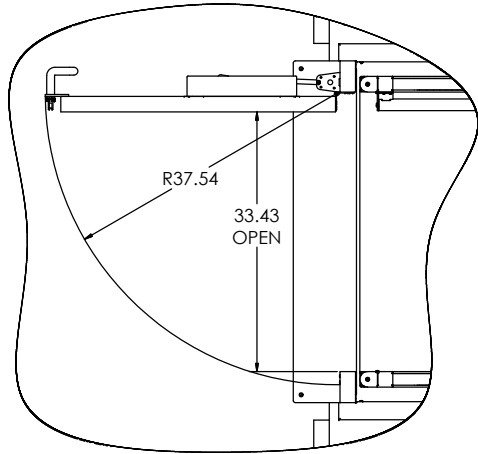
8 7 6 5 4 3 2 1

D

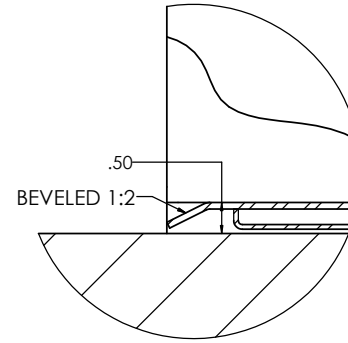
C

B

A



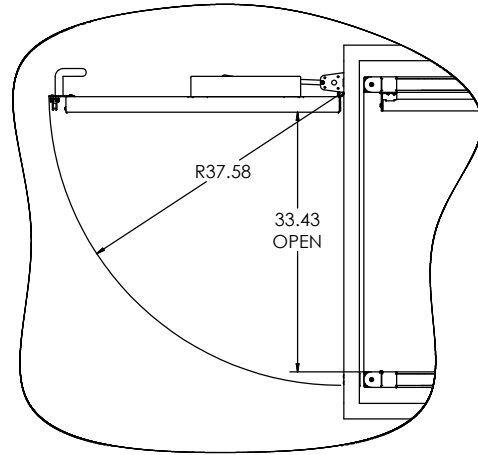
UPPER ENCLOSURE GATE/DOOR
(RH GATE/DOOR SHOWN)



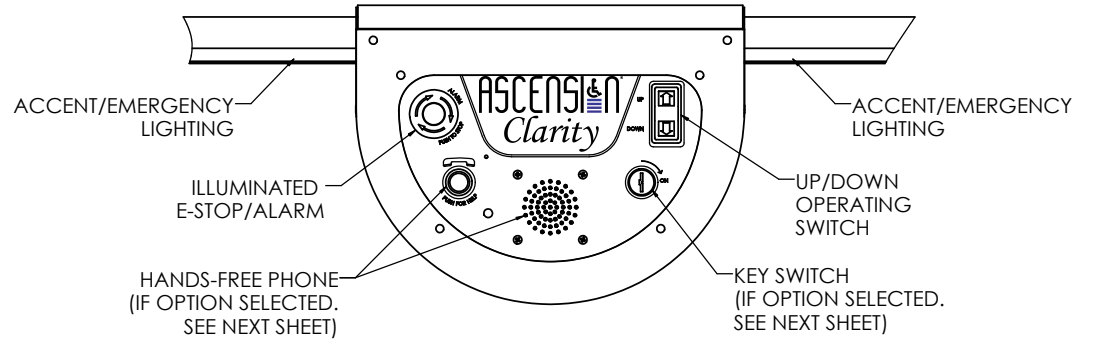
DETAIL A
SCALE 1 : 1
PLATFORM FLOOR
(ENCLOSURE HIDDEN)

DESIGNED FOR PITLESS
INSTALLATION ON TOP OF
FINISHED FLOOR.

LOW-PROFILE PLATFORM
WITH ENTRY THRESHOLD
IAW ADAAG 404.2.5.



LOWER ENCLOSURE DOOR
(RH DOOR SHOWN)



PLATFORM CONTROLS
SCALE 1: 2

REV	FSCM NO.	DWG. NO.	REV
D	08992	CLARITY 16D	A
SCALE 1/16	RELEASE DATE	SHEET 2	

D SIZE SH2-11/01 8 7 6 5 4 3 2 1 FILE \\Documents\Clarity\16E_CUSTOM_BLOCKS.SLDRW

8 7 6 5 4 3 2 1

CONFIGURATION

TOTAL TRAVEL	168" MAX
ENTRY/EXIT CONFIG.	SAME SIDE
ENCLOSURE PROVIDED	FULL
DOVE/VENTILATION	YES/NO

LOWER LANDING	
DOOR TYPE	80" DOOR
HANDING	RH/LH
DOOR OPERATOR	YES
CALL STATION TYPE	WALL/FRAME MOUNT
CALL STATION KEYED	YES/NO

UPPER LANDING	
DOOR TYPE	48" GATE/ 80" DOOR
HANDING	RH/LH
DOOR OPERATOR	YES
CALL STATION TYPE	WALL/FRAME MOUNT
CALL STATION KEYED	YES/NO

PLATFORM	
KEY SWITCH	YES/NO
HANDS-FREE PHONE	YES/NO
PLATFORM LIGHTING	STANDARD

COLOR	SILVER/CUSTOM
LOCATION	OUTDOOR/INDOOR
OUTDOOR PACKAGE	YES/NO
HOLLOW LANDING	YES/NO
PIT SWITCH	YES/NO
MANUAL LOWERING	REMOTE WALL MOUNT
AUDIBLE ALARM	REMOTE WALL MOUNT
BATTERY BACKUP	STANDARD

SPECIFICATIONS

DESCRIPTION	ENCLOSED VERTICAL PLATFORM WHEELCHAIR LIFT
CODE COMPLIANCE	ASME A18.1, ASME A17.5, NFPA 70 (NEC), ANSI A117.1, ADASAD (ADAAG)

APPLIED VERSION	ASME A18.1-2017
MODEL	CLARITY 16D
RATED LOAD	750 LB
RATED SPEED	20 FT/MIN
DUTY CYCLE	168 CYCLE-FT/HR (12 CYCLES/HR MINIMUM)
PLATFORM SIZE	36" X 56"
POWER SUPPLY	27VDC, 500W (18.5A)
BATTERIES	12V, 35A-h AGM SLA (2X)
CONTROL SYS.	24VDC
MOTOR	24VDC, 3 HP
DRIVING MEANS	2:1 CHAIN-HYDRAULIC

PLUNGER (2X)	1.25" SOLID
CYL. I.D. (2X)	2.00"
CYL. O.D. (2X)	2.38"
STROKE (2X)	(VARIES)

WORKING PSI	400 PSI
RELIEF PSI	600 PSI (1.5 X WP)

CHAIN TYPE	4X ANSI #50 ROLLER CHAIN
CHAIN STRENGTH	5045 LBF EACH
SAFETIES	2X TYPE A

DOOR LOCKS	IDEC HS5E/HS5L
------------	----------------

WINDOWS	PLEXIGLAS
---------	-----------

PROVISIONS BY OTHERS

GENERAL

HOISTWAY: HOISTWAY MUST BE SQUARE AND PLUMB WITHIN ±1/8" TO ENSURE PROPER LIFT OPERATION. WHERE PROVIDED BY OTHERS, ENCLOSURE MUST BE DESIGNED AND BUILT IN ACCORDANCE WITH ASME A18.1 AND ALL APPLICABLE STATE AND LOCAL CODES.

REAR CABINET CLOSURE: VERTICAL SURFACE BEHIND MACHINE CABINET SHALL HAVE STRENGTH AND STIFFNESS EQUIVALENT TO 14GA (.08) SHEET STEEL. (PROVIDED BY ASCENSION IF OPTIONAL HOLLOW LANDING PACKAGE SELECTED).

DIMENSIONS: TOTAL TRAVEL HEIGHT MUST BE WITHIN ±3/8" OF NOMINAL. VERIFY ALL DIMENSIONS AND IMMEDIATELY REPORT ANY DISCREPANCIES.

PIT/RAMP: DO NOT PROVIDE PIT OR RAMP. LIFT DESIGNED WITH LOW-PROFILE PLATFORM FLOOR FOR DIRECT ENTRY IAW ADAAG 404.2.5.

OVERHEAD CLEARANCE: MUST COMPLY WITH ALL APPLICABLE CODES.

CONSTRUCTION COORDINATION: OWNER/AGENT RESPONSIBLE FOR ALL MASONRY, CARPENTRY, DRYWALL, PATCHING, AND FINISHING WORK NEEDED PRIOR TO AND FOLLOWING LIFT INSTALLATION.

STRUCTURAL: SUPPORTING STRUCTURE SHALL BE DESIGNED AND CONSTRUCTED TO SAFELY SUPPORT APPLIED LOADS IN ACCORDANCE WITH "CLARITY LOADING" DIAGRAM.

ELECTRICAL

GENERAL: ALL WIRING SHALL COMPLY WITH NFPA 70 (NEC).

POWER: 120VAC, 60HZ, 6A, 1PH CIRCUIT WITH DISCONNECT (SEE BELOW).

CONCEALED REAR ACCESS: CLEAR SPACE 7.25" X 7.50" (W X H) BEHIND LIFT AVAILABLE FOR WIRE ENTRY. SPACE CENTERED 10.88" RIGHT OF LIFT CENTERLINE AND NOMINALLY 6.88" ABOVE LOWER LANDING FLOOR.

SIDE ACCESS: TWO 1/2-14 NPSM THREADED HOLES ARE PROVIDED ON BOTH SIDES OF THE MACHINE CABINET. HOLES ARE NOMINALLY 2.25" AND 3.50" ABOVE LOWER FLOOR AND 1.00" FROM REAR VERTICAL WALL.

MAIN DISCONNECT SWITCH: OTHERS SHALL PROVIDE LOCKABLE FUSED DISCONNECT SWITCH IAW NFPA 70. SWITCH TO INCLUDE ADDITIONAL POLE OR CONTACT FOR DISCONNECTION OF CONTROLLER FROM 24V BACKUP SUPPLY.

LIGHTING: 54 LX MIN. AT PLATFORM AND LANDINGS.

ADDITIONAL AC CONNECTIONS: ADDITIONAL AC CONNECTIONS REQUIRED FOR: VENTILATION SYSTEM (IF EQUIPPED), 120VAC 1.3A 60HZ 1PH.

DOOR OPERATOR(S) (IF BY OTHERS), POWER REQ. PER MANUFACTURER

PHONE: STANDARD PHONE CABLE WITH RJ11 PLUG CONNECTOR REQUIRED FOR OPTIONAL (ANALOG) HANDS-FREE PHONE, WHERE PROVIDED.

REV	FSCM NO.	DWG. NO.	REV
D	08992	CLARITY 16D	A
SCALE	1/16"	SHEET	3

A

A

D SIZE SH2-11/01

8 7 6 5 4 3 2 1

CLARITY LOADING - SAME SIDE ENTRY & EXIT (16C,16D)

(GENERIC APPLICATION DEPICTED; ENCLOSURE NOT SHOWN)

MACHINE CABINET ANCHORS					
ANCHORING REQUIREMENT	ANCHOR LOCATION* (±.38) [IN]	MAX LOAD** PER ANCHOR [LBF]	# OF ANCHORS	TYPE (NEXT SHEET)	APPLICABILITY
ANCHOR AT ONE OF THESE LOCATIONS. OTHERS OPTIONAL†	193.50	222	2	C	TRAVEL > 148"
	169.50				TRAVEL > 124"
	145.50				TRAVEL > 100"
	121.50				ALL LIFTS
OPTIONAL†	97.50	222	2	C	ALL LIFTS
	73.50				
	49.50				
	25.50				
ANCHOR AT ONE OF THESE LOCATIONS	6.00	222	2	C	ALL LIFTS
	LOWER F.F.		2	D	H.L. PKG ONLY
ENCLOSURE ANCHORS (16D MODEL ONLY)					
REQUIRED IF PRESENT	UPPER F.F.	100	2	E	16D ONLY
REQUIRED IF PRESENT	LOWER F.F.	100	2	F	16D ONLY

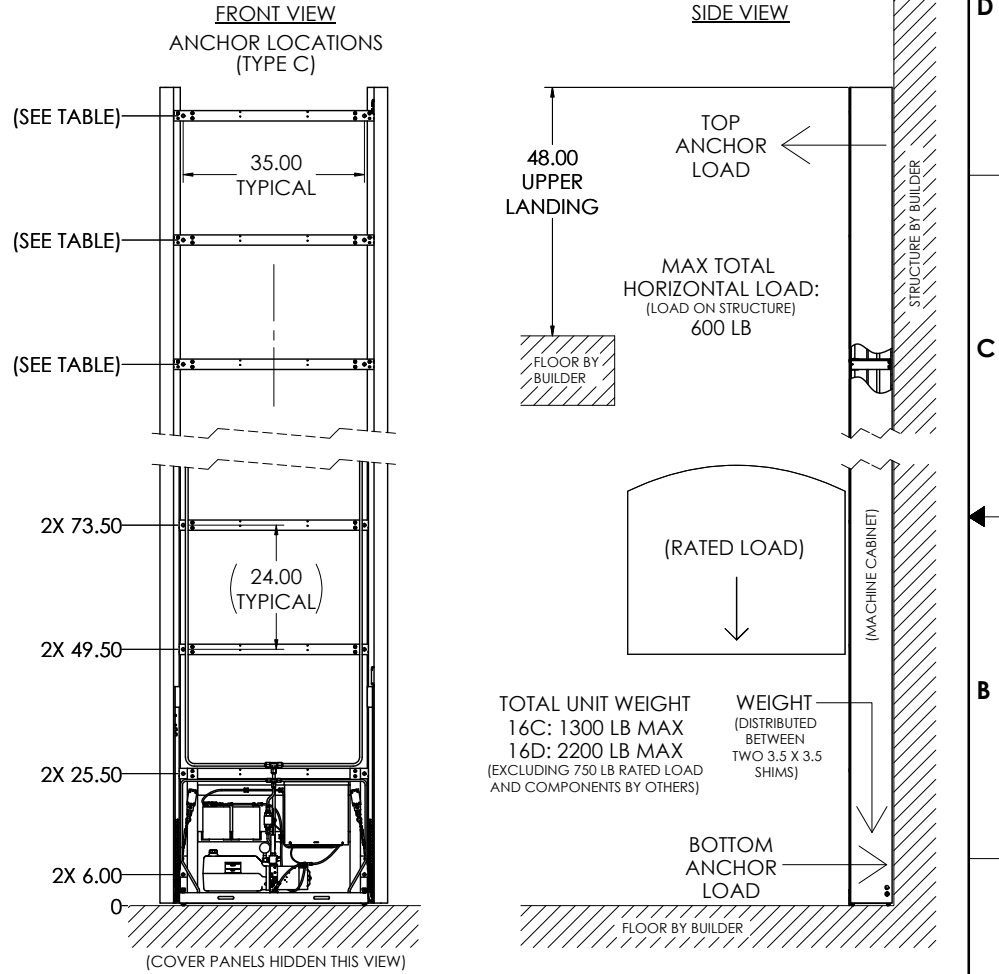
* ACTUAL LOCATIONS OF WALL ANCHORS MAY VARY AS MUCH AS ±3/8" FROM VALUES GIVEN ABOVE. MOUNTING STRUCTURE MUST BE ABLE TO ACCOMMODATE THIS VARIABILITY.

** LOADS LISTED ASSUME STATIC LOADING AND DO NOT INCLUDE WIND, SEISMIC, OR SAFETY FACTOR.

† USE OF OPTIONAL ANCHORS RECOMMENDED FOR MAXIMUM RIGIDITY.

ADDITIONAL NOTES:

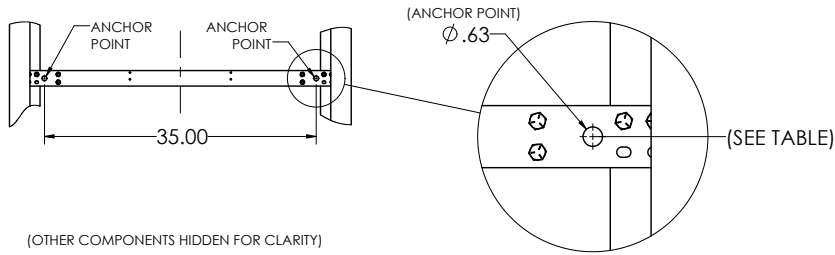
- ANCHORS PROVIDED BY ASCENSION FOR COMMON MOUNTING APPLICATIONS. (SEE NEXT SHEET FOR DETAILS).
STAINLESS-STEEL CONCRETE ANCHORS PROVIDED FOR OUTDOOR APPLICATIONS.



INTERPRET DIMENSIONS AND TOLERANCES (ASME Y14.5M-1994)		DRAWN: S. APPLEBY		DATE: 7-1-20		CIGM CONTAINER CONTROLS, INC. P.O. BOX 4000 - TUCSON, ARIZONA 85717-0000	
UNLESS OTHERWISE SPECIFIED DIMENSIONS ARE IN INCHES TOLERANCES		CHECK: [APPROVED]		By Philip Brobeck at 9:47 am, Sep 17, 2020		CLARITY LOADING SAME SIDE	
DO NOT SCALE DRAWING.		FSCM NO. 08992		DWG. NO. CLARITY LOADING SS		REV. A	
SCALE: 1/16		RELEASE DATE:		SHEET 1 OF 2			

ANCHOR LOCATION TYPE: C

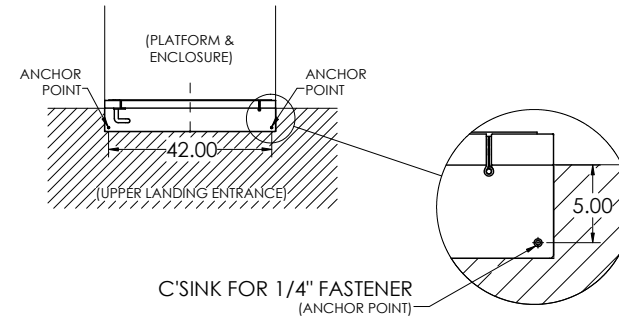
ANCHORS PROVIDED - FOR CONCRETE OR WOOD STRUCTURES:
 2X (EACH) 1/2" X 4" CONCRETE ANCHORS
 (EX: SIMPSON STRONG-TIE P/N THD50400H, THD50400H6SS, OR THD50400H4SS)
 2X (EACH) 1/2" X 4" LAG SCREWS FOR WOOD (INDOOR ONLY)
 (SEE NEXT SHEET FOR SUGGESTED WALL CONSTRUCTION)



ANCHOR LOCATION TYPE: E

(CLARITY 16D ONLY)

ANCHORS PROVIDED - FOR CONCRETE OR WOOD LANDINGS:
 2X 1/4" X 2.25" FLAT HEAD CONCRETE ANCHORS
 (EX: SIMPSON STRONG-TIE P/N TTN25214PFSS)
 2X 1/4-20 THREADED INSERTS FOR WOOD (INDOOR ONLY)
 2X 1/4-20 FLAT HEAD SCREWS

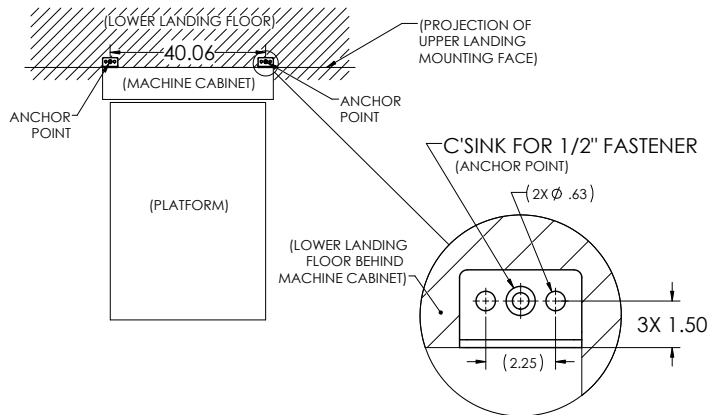


(POWER GATE OPERATOR & OTHER COMPONENTS HIDDEN FOR CLARITY)

ANCHOR LOCATION TYPE: D

(HOLLOW LANDING PACKAGE [H.L. PKG] ONLY)

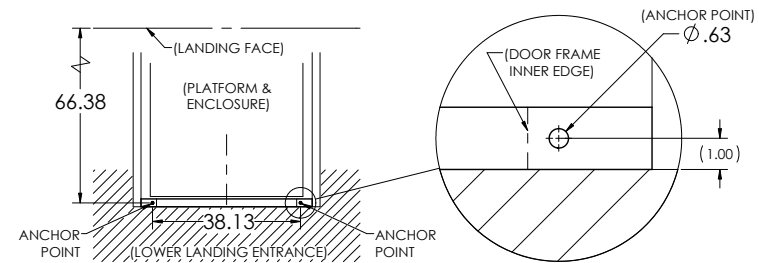
ANCHORS PROVIDED - FOR NORMAL-WEIGHT CONCRETE FLOOR ONLY:
 2X 1/2" X 2" DROP-IN CONCRETE ANCHORS, 1/2-13 INTERNAL THREAD
 (EX: SIMPSON STRONG-TIE P/N DIAB50, DIA506SS, OR DIA50SS)
 2X 1/2-13 X 1" FLAT HEAD SCREWS



ANCHOR LOCATION TYPE: F

(CLARITY 16D ONLY)

ANCHORS PROVIDED - FOR CONCRETE OR WOOD FLOOR:
 2X 1/2" X 2" DROP-IN CONCRETE ANCHORS, 1/2-13 INTERNAL THREAD
 (EX: SIMPSON STRONG-TIE P/N DIAB50, DIA506SS, OR DIA50SS)
 2X 1/2-13 X 1" SCREWS
 2X 1/2" X 4" LAG SCREWS FOR WOOD (INDOOR ONLY)



REV	FSCM NO.	DWG. NO.	REV
D	08992	CLARITY LOADING SS	A
SCALE 1/16	RELEASE DATE	SHEET 2	