

ASCENSION CLARITY MODEL SERIES VERTICAL PLATFORM WHEELCHAIR LIFT FOR SHAFTWAY INSTALLATION

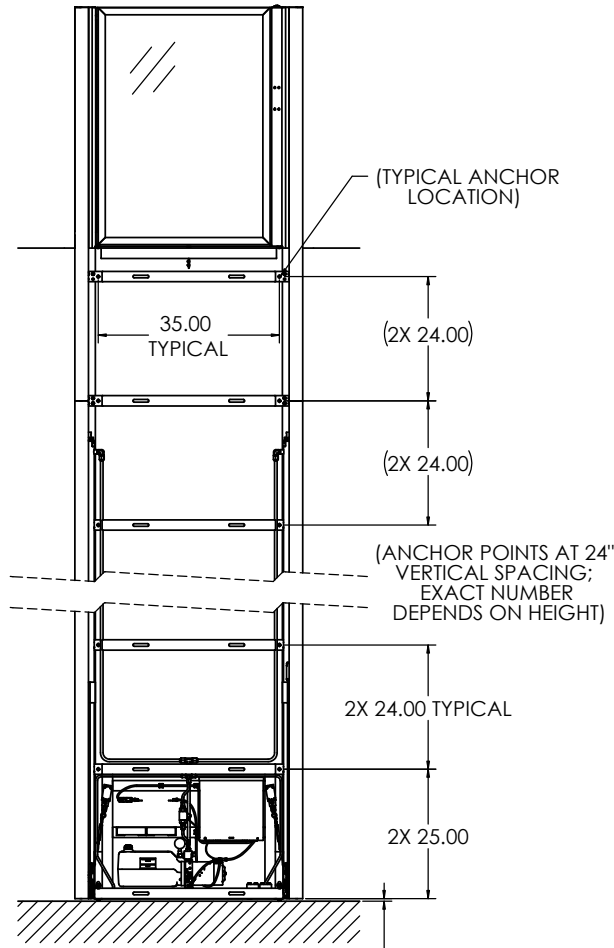
1. CODE COMPLIANCE: ASME A18.1, ASME A17.5, ANSI A117.1, ADAAG, NFPA 70 (NEC).
2. RATINGS
 - 2.1 CAPACITY: 750 LB
 - 2.2 SPEED: 20 FT/MIN
 - 2.3 DUTY: 168 CYCLE-FT/HOUR (12 CYCLES/HOUR MINIMUM).
 - 2.4 TRAVEL: 34.00 TO 168.00 AS ALLOWED BY AHJ.
3. DRIVE & ELECTRICAL
 - 3.1 DRIVE TYPE: 2:1 CHAIN HYDRAULIC
 - 3.2 SUSPENSION: 4X #50 ANSI ROLLER CHAINS
 - 3.3 MOTOR: 24VDC, 3 HP
 - 3.4 ELECTRICAL: 120VAC, 60 HZ, 6A, 1-PHASE.
 - 3.5 ALL CONTROL CIRCUITS 24VDC.
 - 3.6 FULL-TIME BATTERY OPERATION WITH CHARGING.
 - 3.7 MANUAL LOWERING PULL HANDLE WITH ACCESS LOCK PROVIDED STANDARD AT UPPER LANDING.
4. SITE CONSIDERATIONS
 - 4.1 DO NOT PROVIDE PIT OR RAMP. LOW-PROFILE PLATFORM FLOOR MEETS ADA REQUIREMENTS AS ENTRY THRESHOLD.
 - 4.2 UPPER LANDING PLATE, .25 THICK, ANCHORS TO TOP OF UPPER LANDING FLOOR SURFACE.
 - 4.3 REFER TO ASCENSION CLARITY STRUCTURAL LOADING DOCUMENT FOR STRUCTURAL AND ANCHORING REQUIREMENTS.
 - 4.4 1X HOISTWAY DOOR BY OTHERS. CONTACT ASCENSION FOR RECOMMENDATION. INSTALLATION IN BUILDING WALL MUST MEET ALL APPLICABLE CODES.
 - 4.5 SHAFT DIMENSIONS PROVIDED FOR REFERENCE ONLY. CLEARANCES MUST MEET ASME A18.1 AND APPLICABLE LOCAL CODES.
 - 4.6 UP/DOWN OPERATING SWITCH PROVIDED IN SINGLE-GANG BOX FOR REMOTE MOUNTING IAW APPLICABLE CODES AND REGULATIONS.
5. LIGHTING AND COMMUNICATIONS
 - 5.1 PRIMARY LIGHTING TO BE PROVIDED BY OTHERS IAW ALL APPLICABLE CODES AND REGULATIONS.
 - 5.2 ACCENT AND AUXILIARY LIGHTING PROVIDED STANDARD ON PLATFORM CONTROLS AND FLOOR.
 - 5.3 OPTIONAL HANDS-FREE AUTODIALING TELEPHONE ON PLATFORM.
6. ALTERNATE DOOR HANDING AVAILABLE. CONTACT ASCENSION FOR PROJECT-SPECIFIC DRAWINGS.

<small>INTERPRET DIMENSIONS AND TOLERANCES IAW ANSI Y14.5M-1994 UNLESS OTHERWISE SPECIFIED DIMENSIONS ARE IN INCHES (MM) TOLERANCES ANGLES ± .4°</small> <small>DECIMALS .XXX ± .005 .XXX ± .025</small> <small>DO NOT SCALE DRAWING.</small>	<small>DRAWN BY</small> S. APPELBY	<small>DATE</small> 6-18-19	<small>TITLE</small> CLARITY™ VERTICAL PLATFORM LIFT FOR SHAFTWAY INSTALLATION
	<small>CHECKED BY</small> APPROVED By Philip Brobeck at 3:01 pm, Jun 21, 2019	<small>SCALE</small> 1/16"	<small>REV</small> D
<small>PROJECT NO.</small> 08992		<small>REV</small> B	
<small>SCALE</small> 1/16"		<small>SHEET</small> 1 OF 1	

CLARITY LOADING - OPPOSING ENTRY & EXIT (16E, 16S)

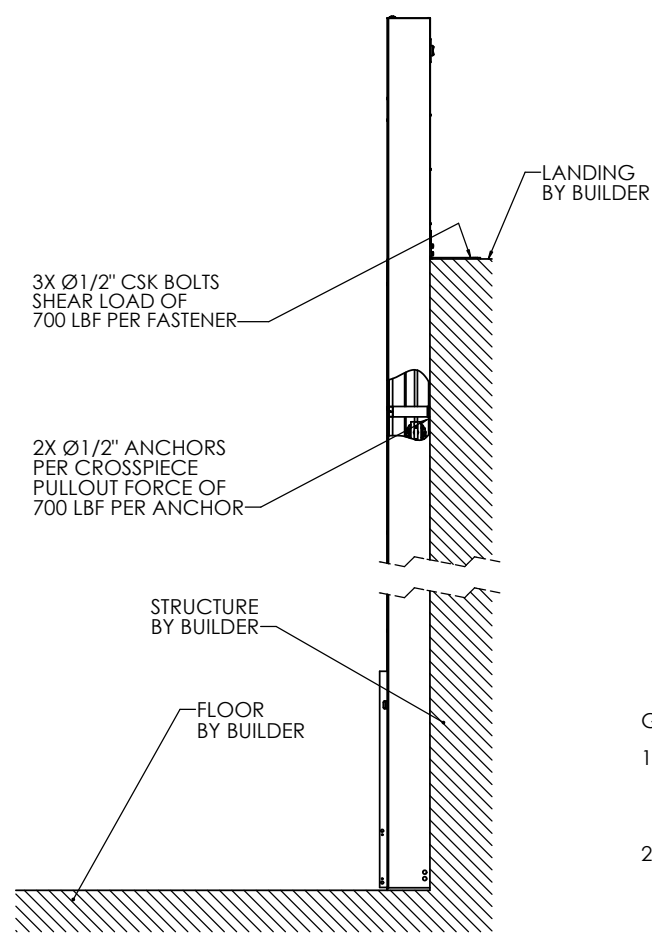
(GENERIC APPLICATION DEPICTED; ENCLOSURE AND PLATFORM NOT SHOWN)

FRONT VIEW



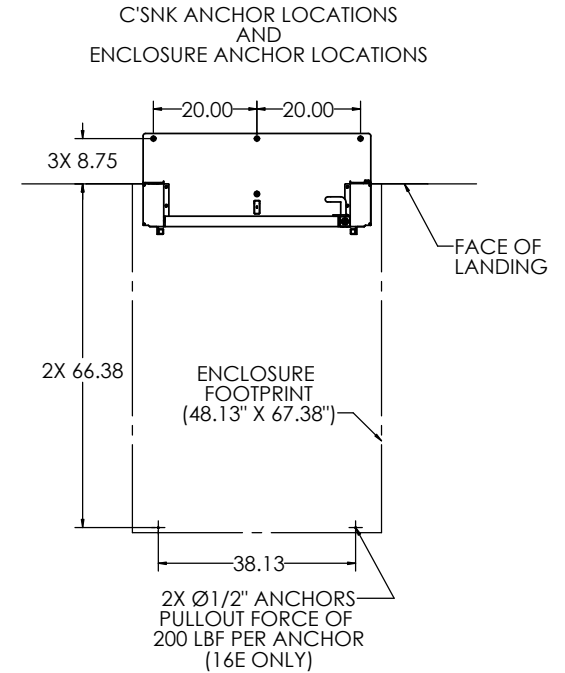
.50±.38 TO ADJUST TO UPPER LANDING
(COVER PANELS HIDDEN THIS VIEW)

SIDE VIEW



TOTAL UNIT WEIGHT
16E: 1200 LB MIN
2200 LB MAX
16S: 1000 LB MIN
1600 LB MAX
(EXCLUDING 750 LB RATED LOAD AND COMPONENTS BY OTHERS)

TOP VIEW



GENERAL INFORMATION

- LOADS LISTED ASSUME STATIC LOADING AND DO NOT INCLUDE CONSIDERATIONS FOR WIND, SEISMIC, OR SAFETY FACTOR.
- VERIFY ALL ANCHOR LOCATIONS IN FIELD PRIOR TO DRILLING. DRILL AFTER POSITIONING CABINET.

<small>INTERPRET DIMENSIONE AND TOLERANCES IN ACCORDANCE WITH ASME Y14.5M-1994 UNLESS OTHERWISE SPECIFIED DIMENSIONE ARE IN INCHES (MM) TOLERANCES ANGLES ± .4°</small> <small>DECIMALS .001 .015 .000 ± .010</small> <small>DO NOT SCALE DRAWING.</small>	<small>DRAWN</small> S. APPLEBY	<small>DATE</small> 6-18-19	<small>SCALE</small> 1/12	<small>REV</small> 1 OF 1
	<small>APPROVED</small> By Phillip Brobeck at 9:41 am, Jun 20, 2019	<small>SCALE</small> 1/12	<small>RELEASE</small> 08992	<small>REV</small> 1 OF 1
<small>INTERPRET DIMENSIONE AND TOLERANCES IN ACCORDANCE WITH ASME Y14.5M-1994 UNLESS OTHERWISE SPECIFIED DIMENSIONE ARE IN INCHES (MM) TOLERANCES ANGLES ± .4°</small>			ASCENSION®	
CLARITY LOADING STRAIGHT THROUGH			CLARITY LOADING	