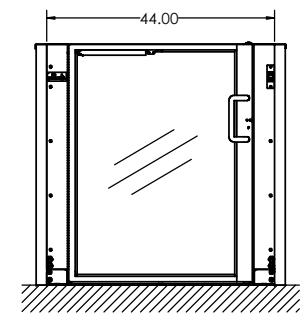
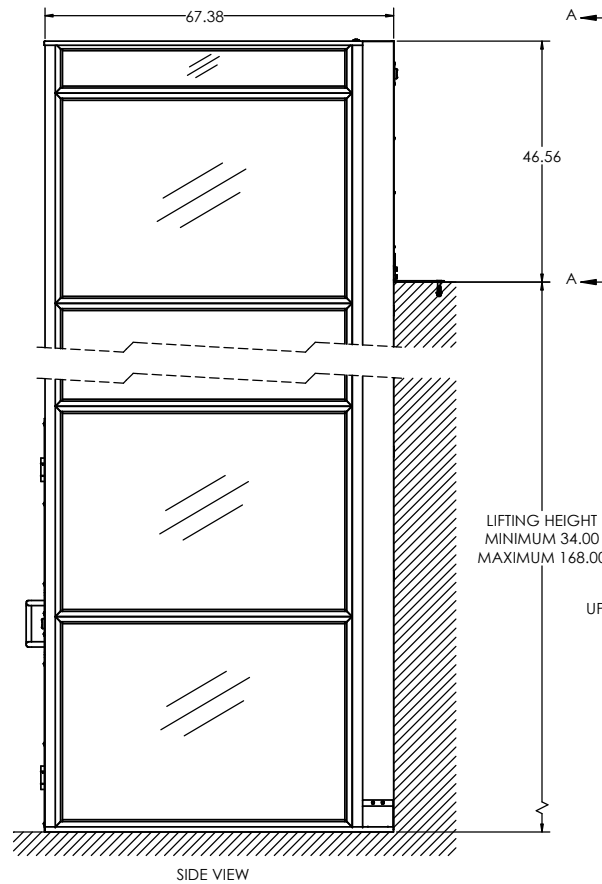
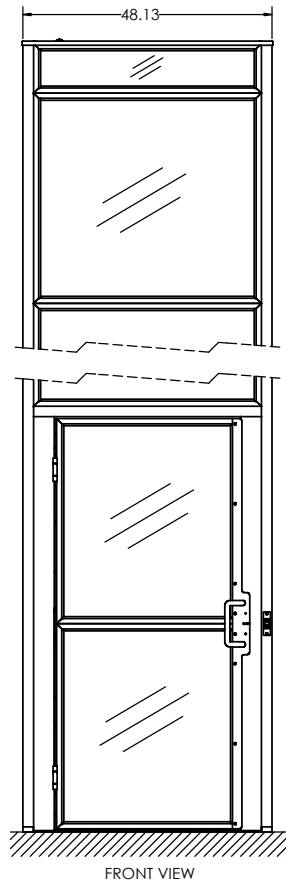
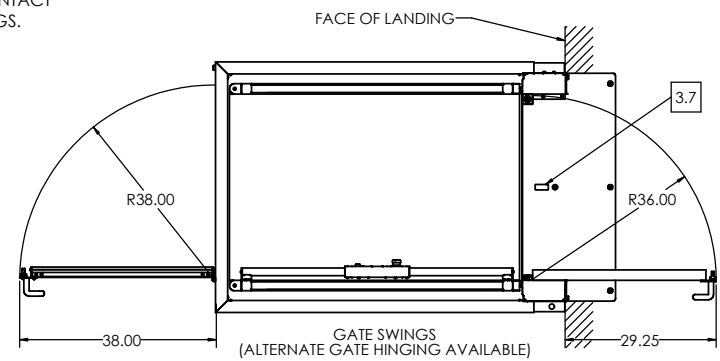
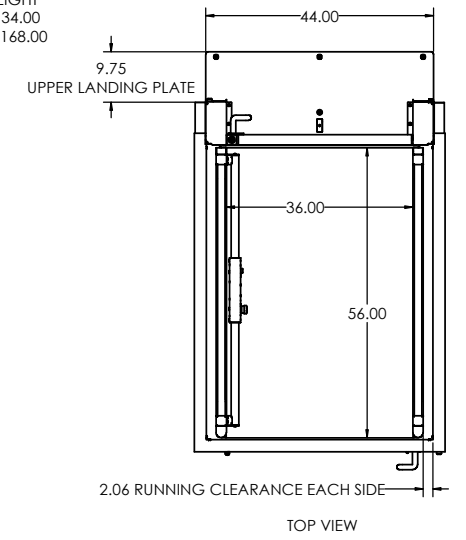


ASCENSION CLARITY MODEL SERIES VERTICAL PLATFORM WHEELCHAIR LIFT WITH RUNWAY ENCLOSURE

1. CODE COMPLIANCE: ASME A18.1, ASME A17.5, ANSI A117.1, ADAAG, NFPA 70 (NEC).
2. RATINGS
 - 2.1 CAPACITY: 750 LB
 - 2.2 SPEED: 20 FT/MIN
 - 2.3 DUTY: 168 CYCLE-FT/HOUR (12 CYCLES/HOUR MINIMUM).
 - 2.4 TRAVEL: 34.00 TO 168.00 AS ALLOWED BY AHJ.
3. DRIVE & ELECTRICAL
 - 3.1 DRIVE TYPE: 2:1 CHAIN HYDRAULIC
 - 3.2 SUSPENSION: 4X #50 ANSI ROLLER CHAINS
 - 3.3 MOTOR: 24VDC, 3 HP
 - 3.4 ELECTRICAL: 120VAC, 60 HZ, 6A, 1-PHASE.
 - 3.5 ALL CONTROL CIRCUITS 24VDC.
 - 3.6 FULL-TIME BATTERY OPERATION WITH CHARGING.
 - 3.7 MANUAL LOWERING PULL HANDLE WITH ACCESS LOCK PROVIDED STANDARD AT UPPER LANDING.
4. SITE CONSIDERATIONS
 - 4.1 DO NOT PROVIDE PIT OR RAMP. LOW-PROFILE PLATFORM FLOOR MEETS ADA REQUIREMENTS AS ENTRY THRESHOLD.
 - 4.2 UPPER LANDING PLATE, .25 THICK, ANCHORS TO TOP OF UPPER LANDING FLOOR SURFACE.
 - 4.3 REFER TO ASCENSION CLARITY STRUCTURAL LOADING DOCUMENT FOR STRUCTURAL AND ANCHORING REQUIREMENTS.
5. LIGHTING AND COMMUNICATIONS
 - 5.1 PRIMARY LIGHTING TO BE PROVIDED BY OTHERS IN ACCORDANCE WITH ALL APPLICABLE CODES AND REGULATIONS.
 - 5.2 ACCENT AND AUXILIARY LIGHTING PROVIDED STANDARD ON PLATFORM CONTROLS AND FLOOR.
 - 5.3 OPTIONAL HANDS-FREE AUTODAILING TELEPHONE ON PLATFORM.
6. ALTERNATE DOOR HANDING AVAILABLE. CONTACT ASCENSION FOR PROJECT-SPECIFIC DRAWINGS.



SECTION A-A
VIEW FROM UPPER LANDING
PARTIAL HEIGHT GATE SHOWN,
80" DOOR ALSO AVAILABLE



<small>INTERPRET DIMENSIONS AND TOLERANCES IN ACCORDANCE WITH THE FIRST EDITION OF THE ASME Y14.5M-1994 UNLESS OTHERWISE SPECIFIED DIMENSIONS ARE IN INCHES (MM) TOLERANCES ANGLES ± .4° DECIMALS .001 ± .002 .0004 ± .0025</small>		<small>DATE</small> 6-18-19	<small>SCALE</small> 1/1	<small>REV</small> B
<small>DO NOT SCALE DRAWING.</small>		<small>APPROVED</small> By Philip Brabeck at 3:32 pm, Jun 20, 2019	<small>FILE NO.</small> D 08992	
<small>PROJECT NO.</small> 		<small>REV</small> 		<small>REV</small> B
<small>SCALE</small> 1/1		<small>RELEASED</small> 		<small>SHEET</small> 1 OF 1



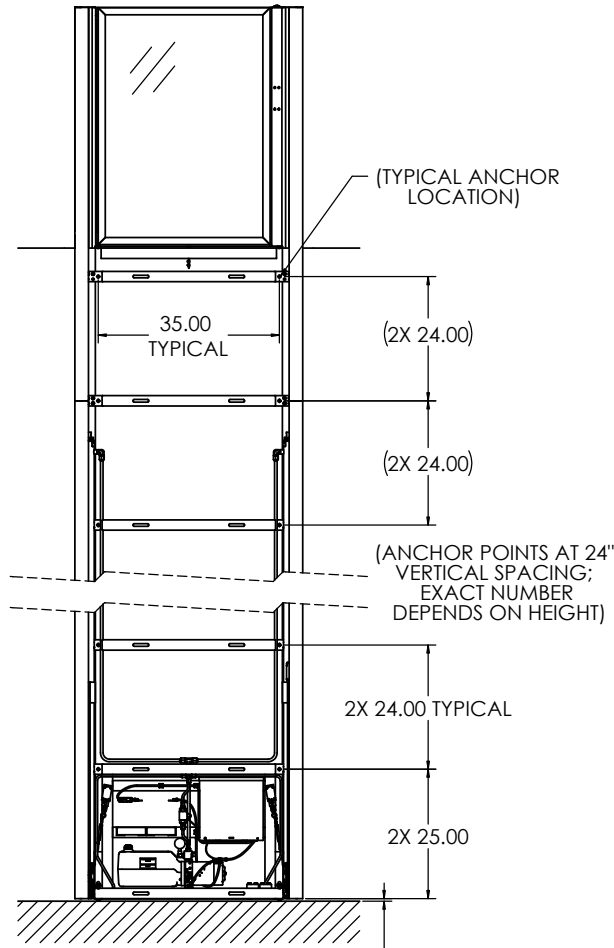
CLARITY™ VERTICAL PLATFORM LIFT WITH RUNWAY ENCLOSURE

CLARITY 16E

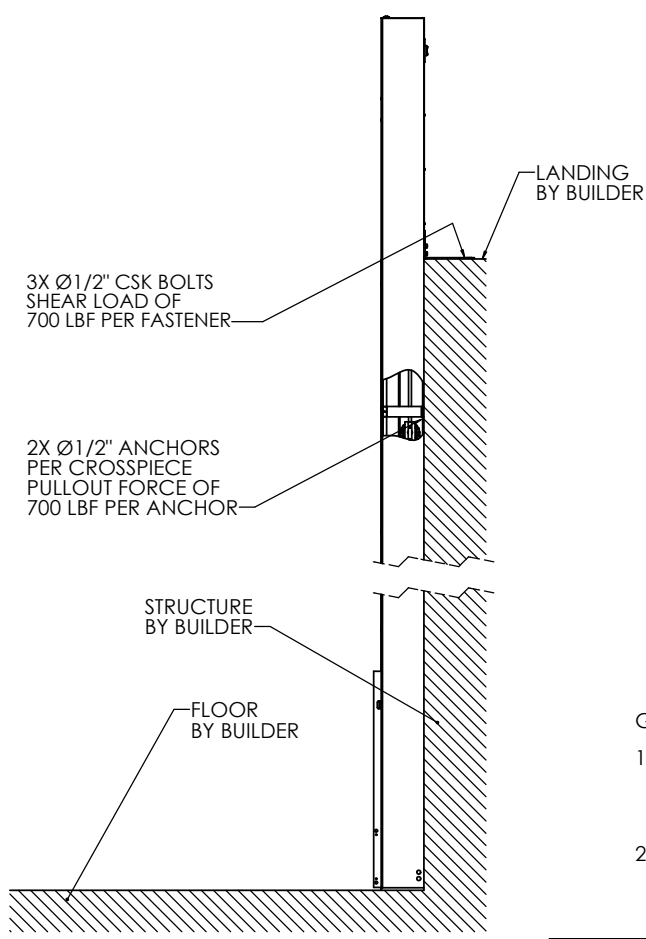
CLARITY LOADING - OPPOSING ENTRY & EXIT (16E, 16S)

(GENERIC APPLICATION DEPICTED; ENCLOSURE AND PLATFORM NOT SHOWN)

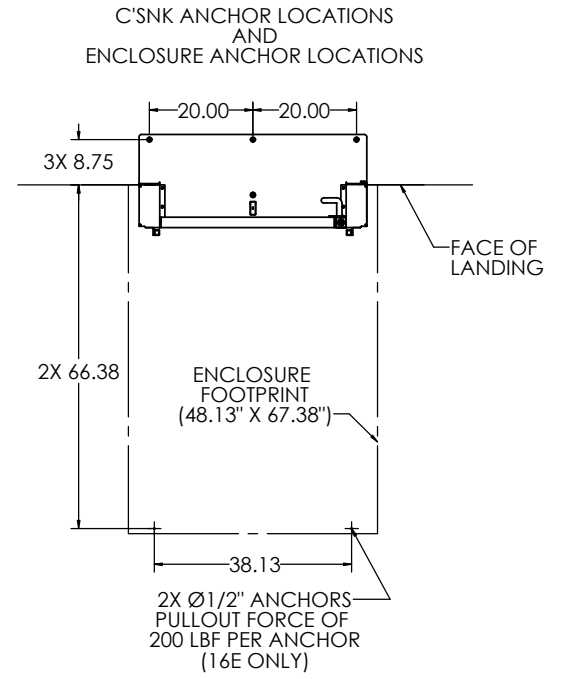
FRONT VIEW



SIDE VIEW



TOP VIEW



GENERAL INFORMATION

- LOADS LISTED ASSUME STATIC LOADING AND DO NOT INCLUDE CONSIDERATIONS FOR WIND, SEISMIC, OR SAFETY FACTOR.
- VERIFY ALL ANCHOR LOCATIONS IN FIELD PRIOR TO DRILLING. DRILL AFTER POSITIONING CABINET.

TOTAL UNIT WEIGHT
 16E: 1200 LB MIN
 2200 LB MAX
 16S: 1000 LB MIN
 1600 LB MAX
 (EXCLUDING 750 LB RATED LOAD AND COMPONENTS BY OTHERS)

<small>INTERPRET DIMENSIONS AND TOLERANCES IN ACCORDANCE WITH ASME Y14.5M-1994 UNLESS OTHERWISE SPECIFIED DIMENSIONS ARE IN INCHES (MM) TOLERANCES ANGLES ± .4°</small> <small>DECIMALS .001 .015 .000 ± .010</small> DO NOT SCALE DRAWING	DRAWN: S. APPLEBY CHECK:	DATE: 6-18-19	P.O. BOX 4000 TUCSON, ARIZONA 85717-0000 ASCENSION®
	APPROVED By Philip Brobeck at 9:41 am, Jun 20, 2019		CLARITY LOADING STRAIGHT THROUGH
SCALE: 1/12	FSCM NO. 08992	DWG. NO.	CLARITY LOADING
SHEET 1 OF 1	RELEASE	REV	D